

S8PE-NZ (POE)

6-inch Smart Control panel Spec.

■ Version update instructions

Version	Update content	Date	Producer
v1.0	Initial version	2024-11-7	Engineers

Content

- 1. Product Introduction 1
 - 1.1 Product Appearance 1
 - 1.2 Product Functions 1
- 2. Product Parameters and Dimensions 2
 - 2.1 Parameter Specifications 2
 - 2.2 Key Dimensions 4
- 3. Interface and Wiring Instructions 5
 - 3.1 Interface Instructions 5
 - 3.2 Wiring Diagram 6
- 4. Installation Diagram and Instructions 7
 - 4.1 Installation Diagram 7
 - 4.2 Installation Instructions 8
- 5. Product Usage Instructions 9
 - 5.1 Safety Instructions 9

1. Product Introduction

1.1 Product Appearance



1.2 Product Functions

- 6-inch + 1.2-inch TFT LCD, four-array microphone noise reduction, 2*1W speakers, DC 9V-24V input.
- Supports screen adaptive brightness adjustment and screen proximity sensor wake-up.
- Supports temperature and humidity sensing function.
- Supports standard European and Asian wall box installation.
- Supports POE power input and RS485 communication.

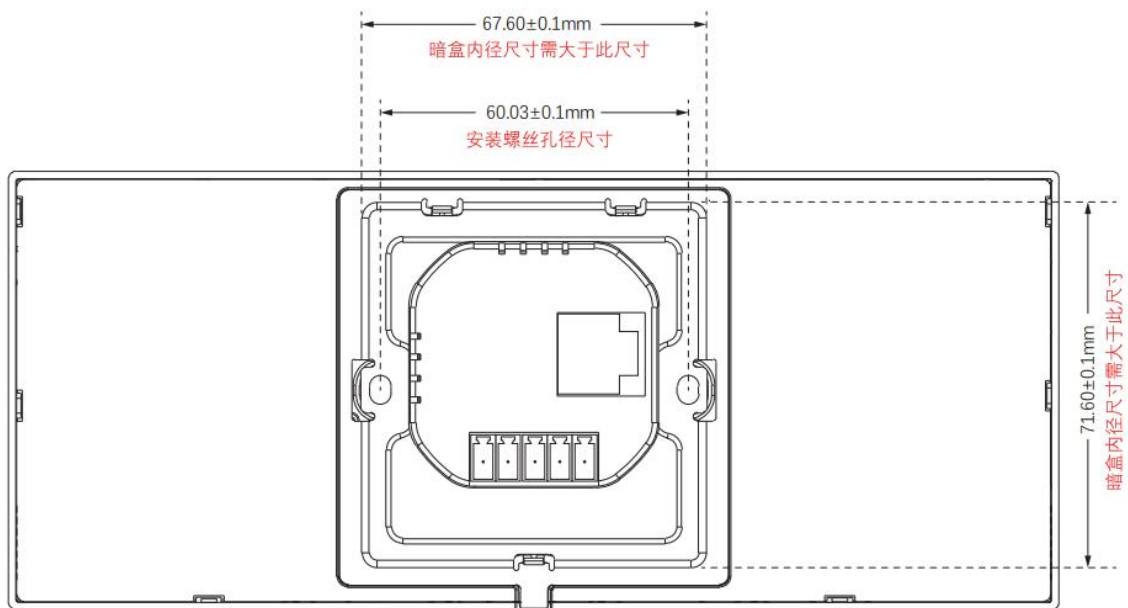
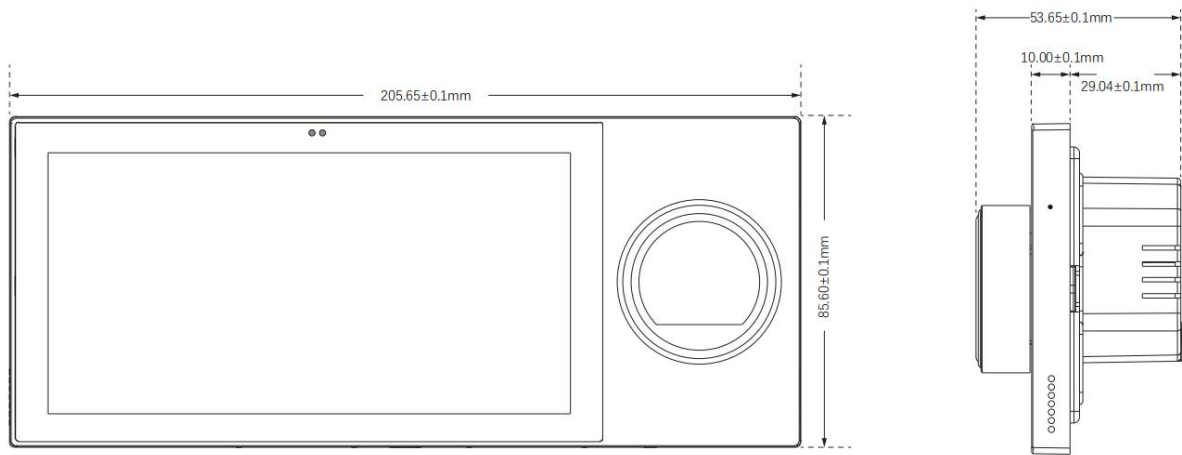
2. Product Parameters and Key Dimensions

2.1 Parameter Specifications

Product Configuration Parameters				
	Name	Content	Detailed parameters	Remarks
1	CPU	Rock chip	PX30 Quad-core Cortex-A35	
2	RAM	LPDDR4	2G	
3	ROM	EMMC	8G	
4	OS	Android	Android 8.1	Open Android
5	Screen	6 +1.22 inch	6inch 720*1440 1.22 inch 240*204 knob screen	
6	Wireless connection	WIFI	2.4GHz, 802.11a/b/g/n	
		BLE	BT 4.2	
7	Antenna	WIFI+BLE	IPEX terminal+FPC	
8	Sensor	Light sensor		
		Proximity Sensor	≤50CM	
		Temperature& humidity sensor		
9	Mic&Speaker	Microphone	Four-microphone line array	

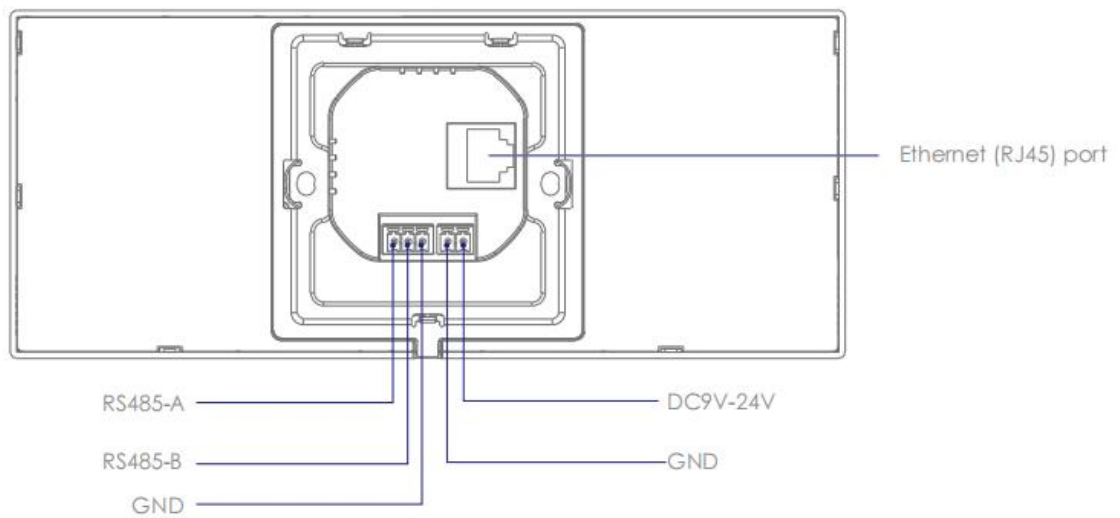
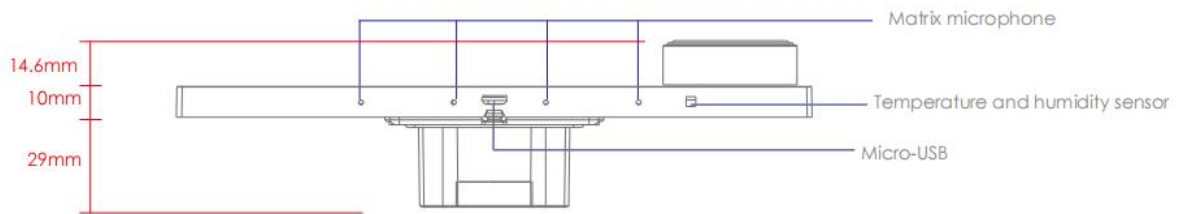
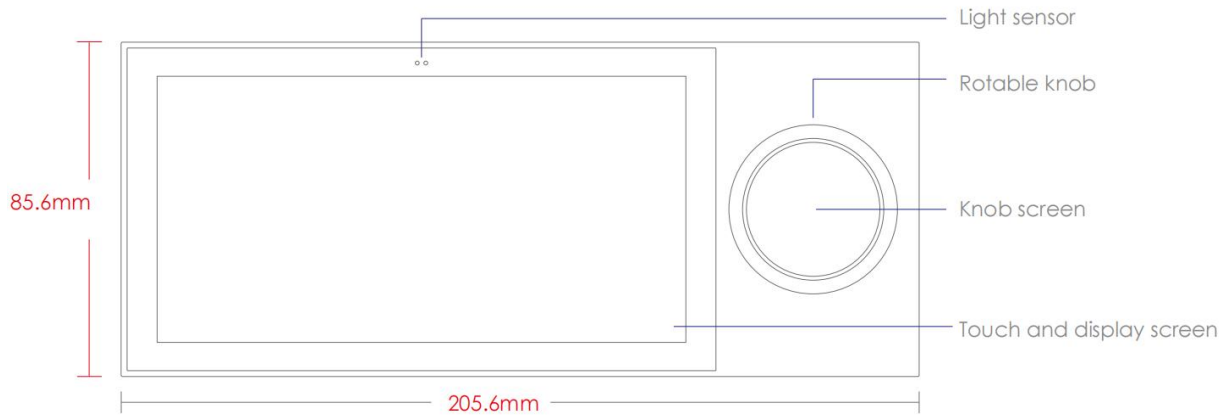
		Speaker	2*8Ω 1W, BOX sound cavity	
10	Interface and buttons	DC power input	2P, 3.81MM Phoenix Contact	DC / GND
		RS485	3P, 3.81MM Phoenix Contact	A / B / GND
		POE network port	RJ45, 100/100Mbps	
		USB port	Micro USB	
		Knob/button	Physical knob/reset button	
11	Power supply	DC power input	DC 9V-24V	POE power supply
12	Product appearance	Product size	205.6x85.6x53.6mm	With power base
		Frame material	PC	
		Frame color	Grey	
		Back base material	PC	
		Back base color	Black	
13	Bracket	Material tech	Metal stamping	
Reliability				
1	Dust and water resistance level		IP52	
2	ESD		Contact 6K, Air 10K	
3	Surge (power and network port)		1KV	
4	Operating temperature		0°C—40°C	
5	Operating humidity		90%RH	
6	Storage temperature		-10—60°C	

2.2 Key Dimensions

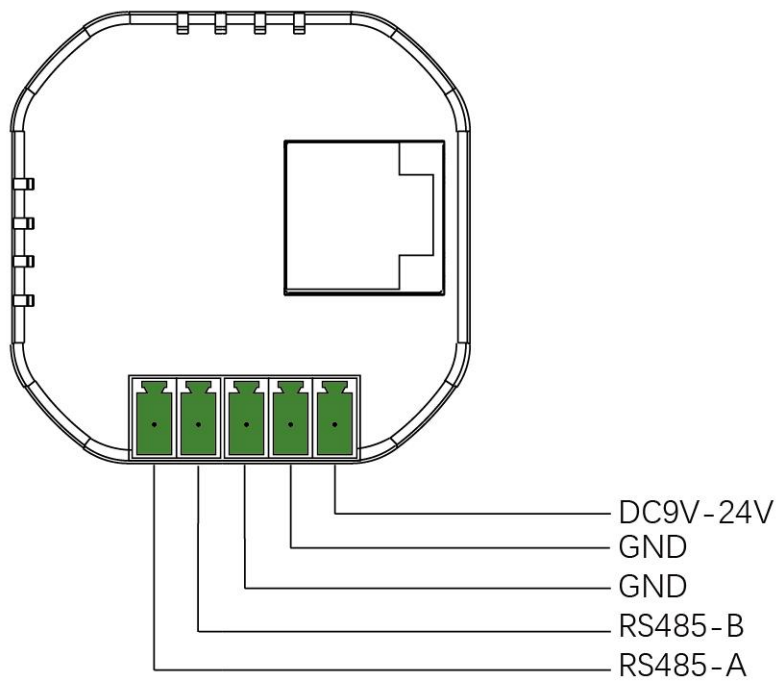


3. Interface and Wiring Instructions

3.1 Interface Instructions



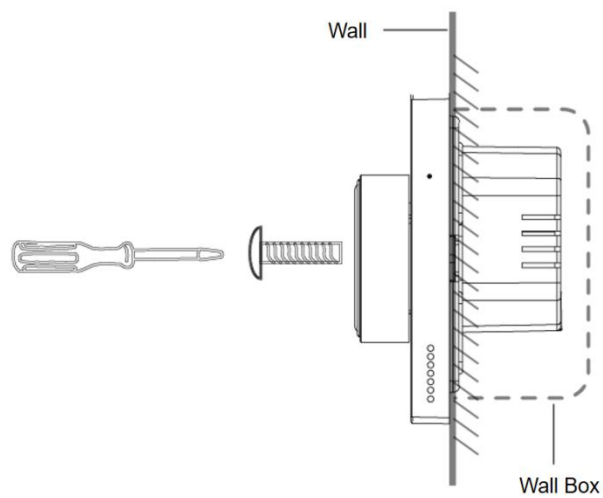
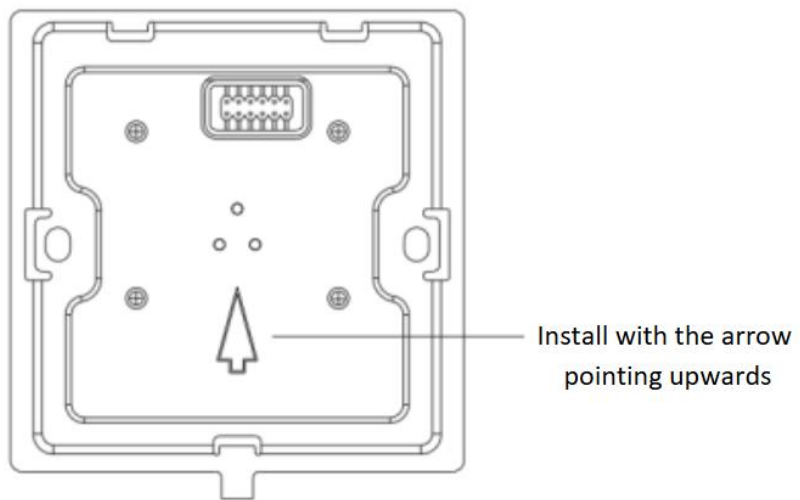
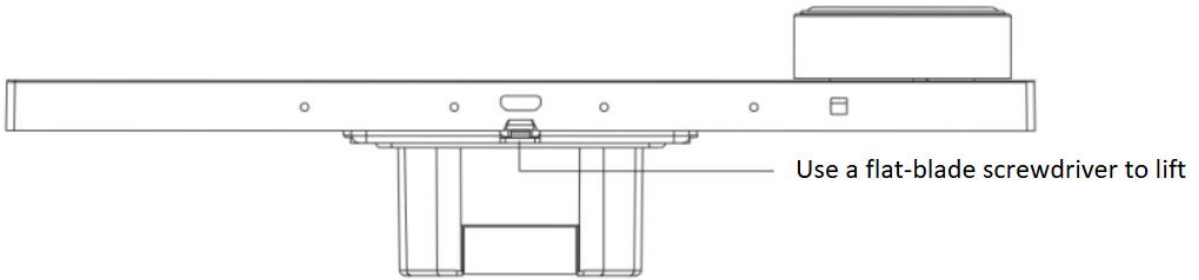
3.2 Wiring Diagram



Note: The network port is a standard RJ45 port and supports POE power supply.

4. Installation Diagram and Instructions

4.1 Installation Diagram



4.2 Installation Instructions

- Use a flat-blade screwdriver to remove the product bracket and back base, and install them in the wall box.
- Check the wiring and confirm that the DC power supply and RS485 terminal wires are in good contact with the terminal heads of the back box, without loosening or falling off.
- Use the mounting screws in the accessory package to lock the bracket base on the wall box, ensure that the bracket is flush with the wall, and then gently press and snap the panel together.
- Note that during the installation of the bracket, the mounting screws should not be tightened too much to avoid deformation of the bracket or damage to the screen and hardware.
- If you encounter problems during installation, do not press hard to force the installation. You should first level the wall and check the flatness of the bracket.

5. Product Usage Instructions

5.1 Safety Instructions

- To ensure the correct use of this product, this product must be installed or disassembled by a professional electrician.
- Before disassembling the original wall panel product, the main power switch must be turned off to prevent electric shock. This product is a DC 9V-24V input. Make sure there is a corresponding voltage power supply in the wall box.
- This product must be kept away from fire and water during installation and use.
- This product cannot be used in a humid environment (such as a bathroom).