

# S9PE-NZ(POE)

## 10.1 Smart Control Panel(in-wall) SPEC.

Ver.	Description	Creator	Date
V1.0	First Edition	Engineer department	Aug-21-2024

# Contents

<b>Chapter 1 Product Introduction</b> .....	1
1.1 Appearance .....	1
1.2 Features .....	2
<b>Chapter 2 Product Specifications</b> .....	2
2.1 Parameter Specifications .....	3
2.2 Key Dimensions .....	5
<b>Chapter 3 Interface and Wiring Instructions</b> .....	6
3.1 Interface Instructions .....	6
3.2 Wiring Diagram .....	7
<b>Chapter 4 Installation Diagram and Instructions</b> .....	8
4.1 Installation Diagram .....	8
4.2 Installation Instructions .....	9
<b>Chapter 5 Product Usage Instructions</b> .....	10
5.1 Safety Instructions .....	10

# Chapter 1 Product Introduction

## 1.1 Appearance



## 1.2 Features

- 10.1-inch TFT LCD, G+FF touch screen, anti-fingerprint oil layer, four-way linear array microphone, 4 ohm 2W dual speakers, 4 physical function buttons.
- Millimeter wave radar distance sensing wake-up screen, light sensing screen adaptive brightness adjustment.
- Support one-key screen off, shutdown and restart device.
- Support temperature and humidity sensing function.
- Support standard EU/UK/US/Asia wall-mounted wall box installation.
- Support POE power input and RS485 communication.

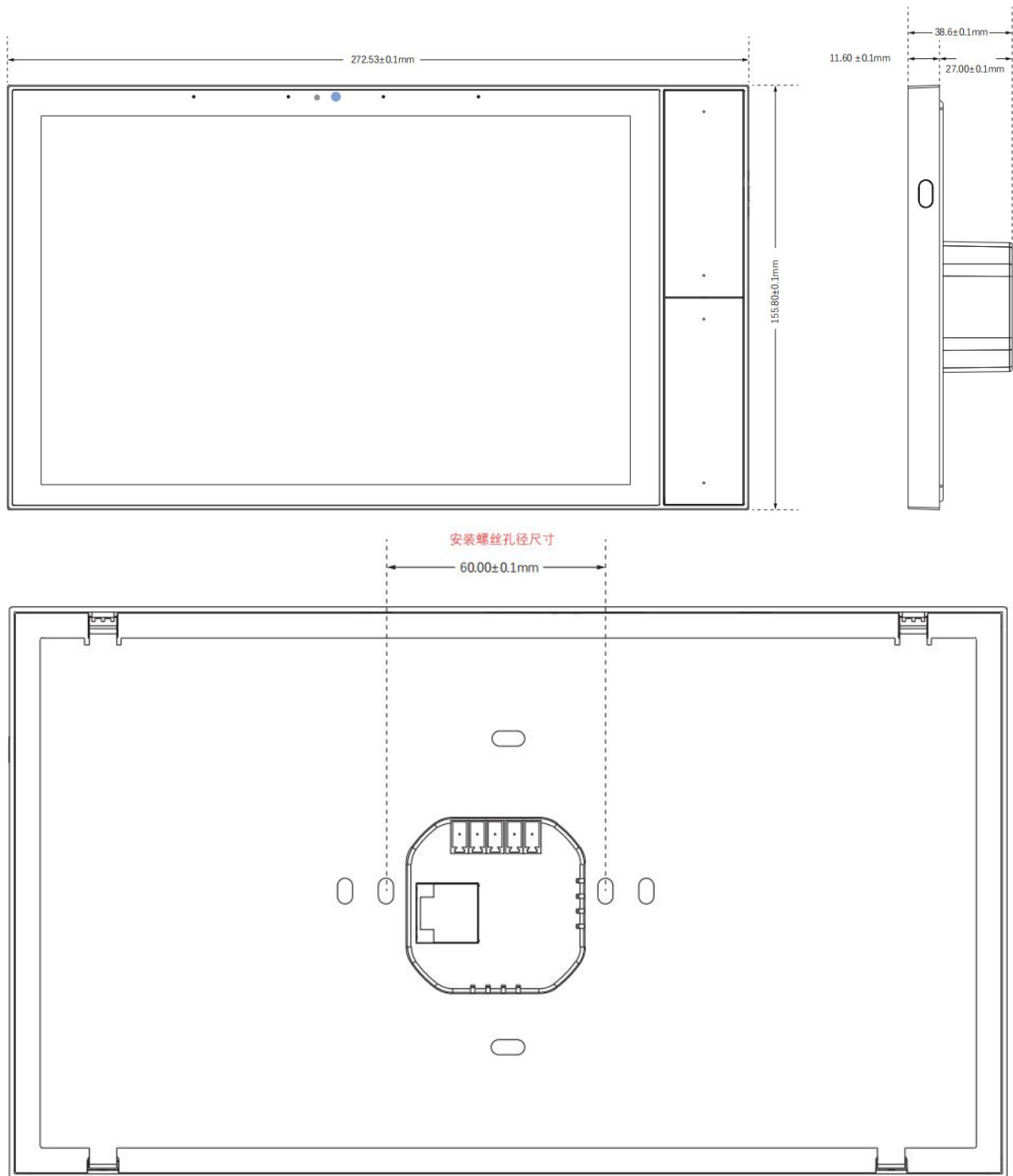
# Chapter 2 Product Specifications

## 2.1 Parameter Specifications

Product Configuration Parameters				
	Name	Content	Detailed parameters	Remarks
1	CPU	Rock Chip	RK3566 Quad-core Cortex-A55	
2	RAM	LPDDR4	2G	
3	ROM	EMMC	16G	
4	OS	Android	Android 11	Open Android
5	Screen	10.1 inch	1920*1200 Capacitive, G+FF process	
6	Wireless connection	WIFI	2.4&5GHz, 802.11a/b/g/n/ac	
		BLE	BT 5.2, BLE5.2	
7	Antenna	WIFI+BLE	IPEX terminal+FPC	
8	Sensors	Light sensor	Built-in	
		Proximity Sensor	≤50CM	
		Temperature& humidity sensor	Built-in	

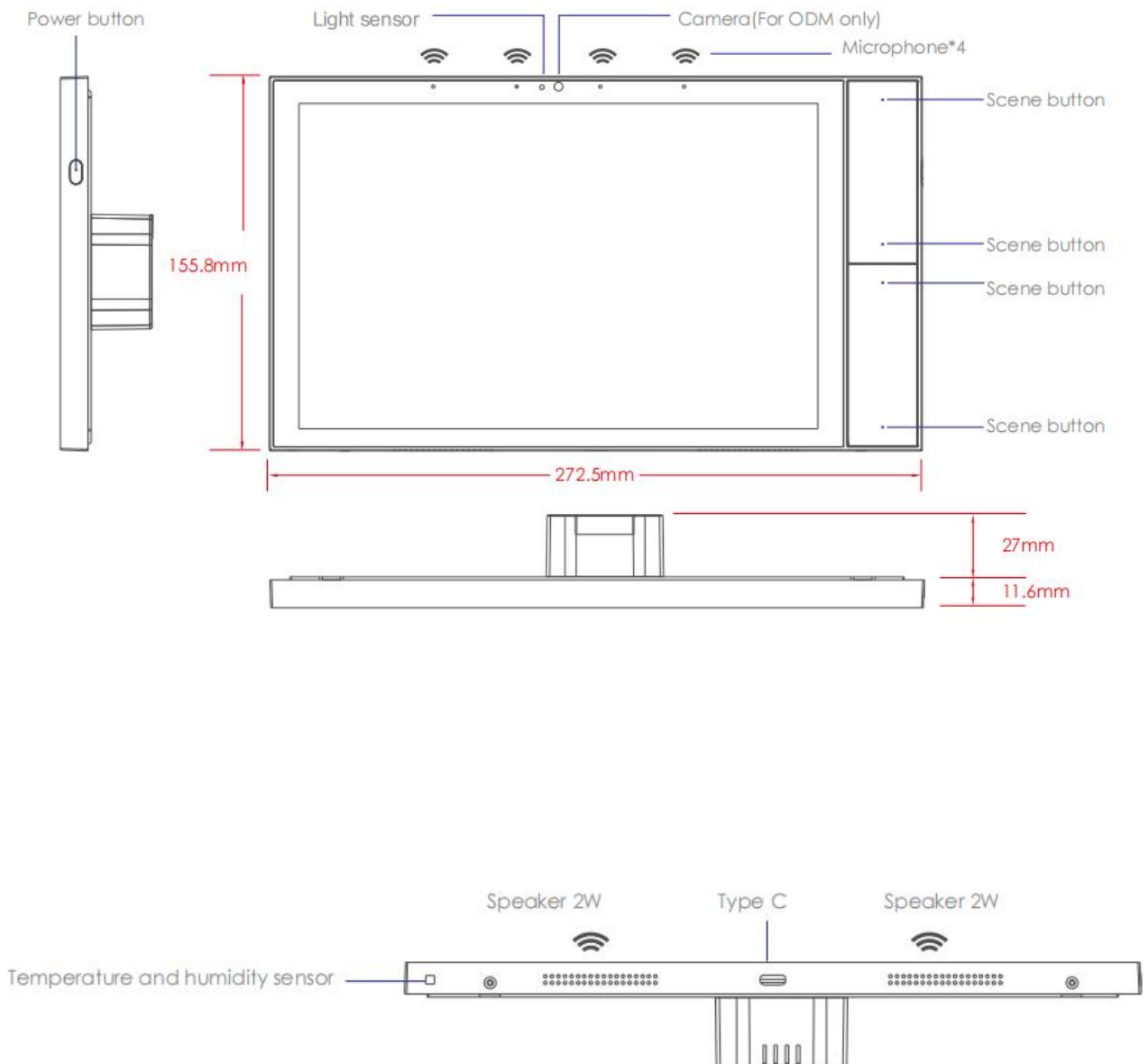
9	Mic&	Microphone	Four-microphone line array	
	Speaker	Speaker	2*4Ω2W, BOX sound cavity	
10	Interface and buttons	DC power input	2P, 3.81MM Phoenix Contact	DC / GND
		RS485	3P, 3.81MM Phoenix Contact	A / B / GND
		POE network port	RJ45, 100/100Mbps	
		USB port	USB-C	Type-C
		Button 1	1*Power button	
		Button 2	4*Function buttons	
11	Power supply	DC power input	DC 9V-24V	POE power supply
12	Product appearance	Product size	272.5x155.8x38.6mm	With power base
		Frame material	PC	
		Frame color	Grey	
		Back base material	PC	
		Back base color	Black	
<b>Reliability</b>				
1	Dust and water resistance level		IP52	
2	ESD		Contact 6K, Air 10K	
3	Surge (power and network port)		1KV	
4	Operating temperature		0°C—40°C	
5	Operating humidity		90%RH	
6	Storage temperature		-10—60°C	

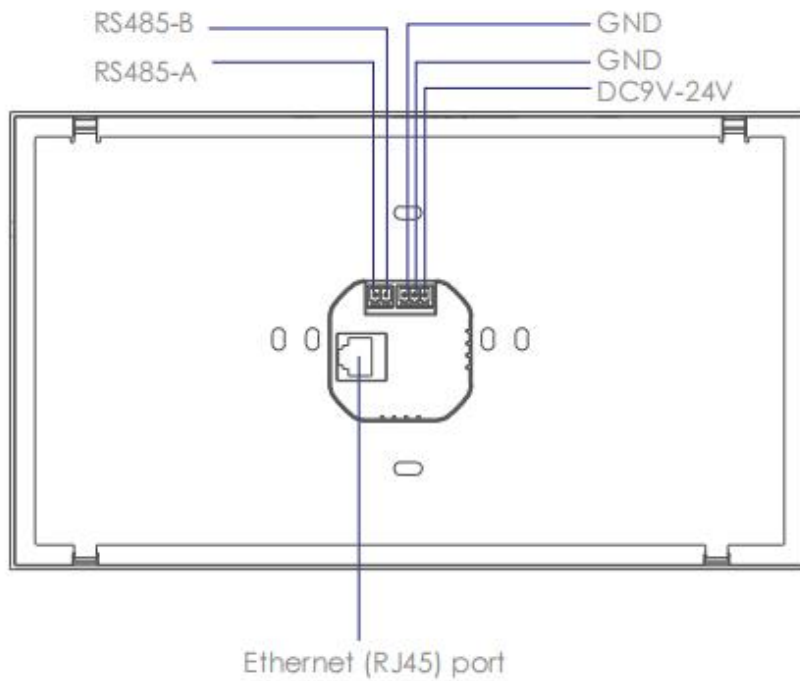
## 2.2 Key Dimensions



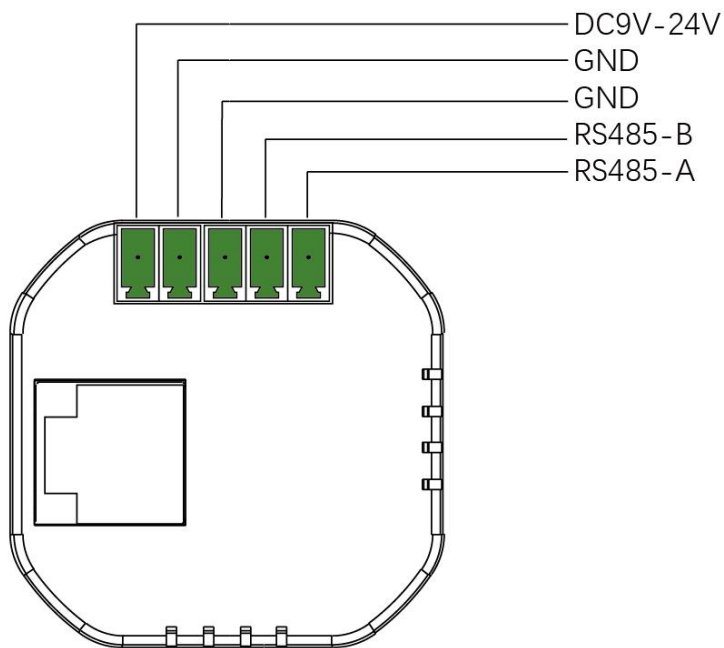
# Chapter 3 Interface and Wiring Instructions

## 3.1 Interface Instructions





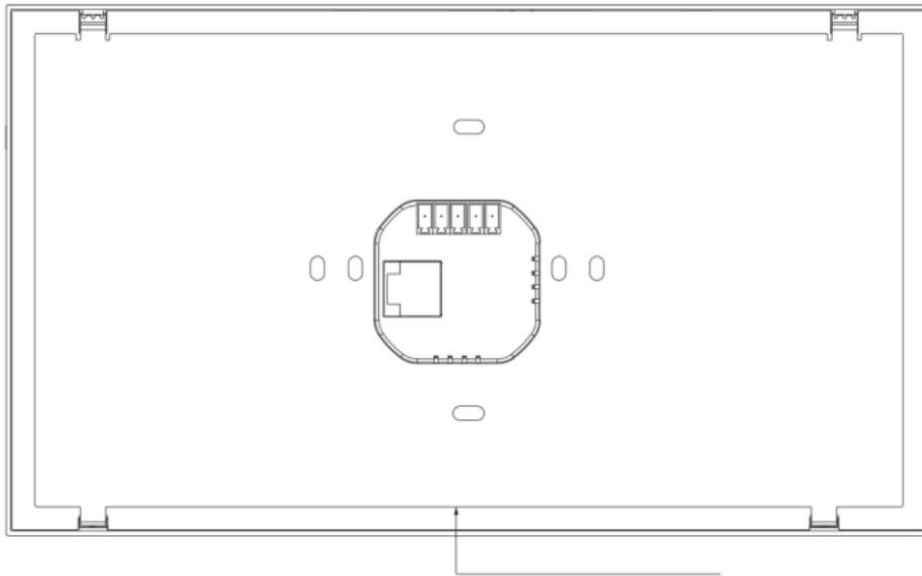
### 3.2 Wiring Diagram



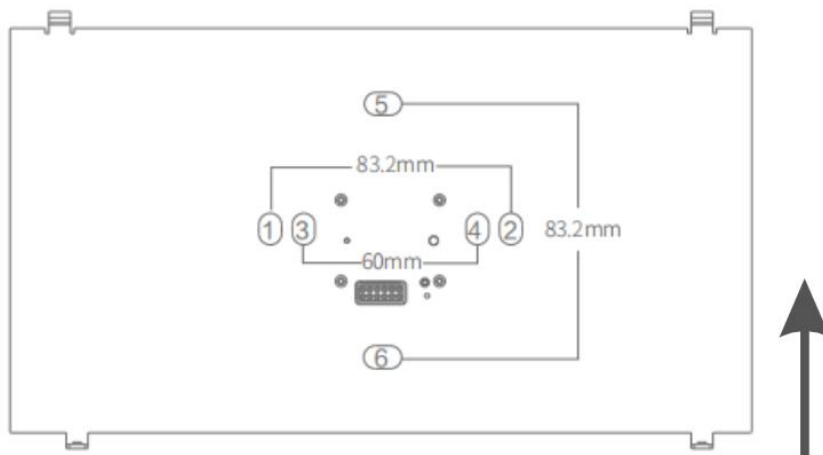
**Note:** The network port is a standard RJ45 port and supports POE power supply.

# Chapter 4 Installation Diagram and Instructions

## 4.1 Installation Diagram



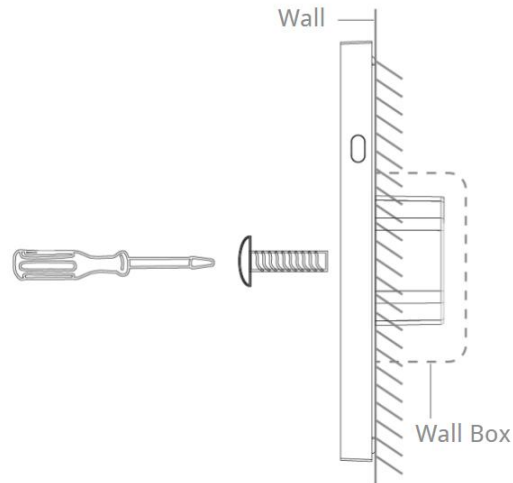
Remove the bracket  
along this edge



Install the bracket upward  
in this direction

Screw holes spacing diagram:

- ①② Fits US standard horizontal In-wall lining box
- ③④ Fits European and Asian standard In-wall lining box
- ⑤⑥ Fits US standard vertical In-wall lining box



## 4.2 Installation Instructions

- Use a flat-blade screwdriver to remove the product bracket and back base, and install them in the wall box.
- Check the wiring and confirm that the DC power supply and RS485 terminal wires are in good contact with the terminal heads of the back box, without loosening or falling off.
- Use the mounting screws in the accessory package to lock the bracket base on the wall box, ensure that the bracket is flush with the wall, and then gently press and snap the panel together.
- Note that during the installation of the bracket, the mounting screws should not be tightened too much to avoid deformation of the bracket or damage to the screen and hardware.
- If you encounter problems during installation, do not press hard to force the installation. You should first level the wall and check the flatness of the bracket.

## 5.1 Safety Instructions

- To ensure the correct use of this product, this product must be installed or disassembled by a professional electrician.
- Before disassembling the original wall panel product, the main power switch must be turned off to prevent electric shock. This product is a DC 9V-24V input. Make sure there is a corresponding voltage power supply in the wall box.
- This product must be kept away from fire and water during installation and use.
- This product cannot be used in a humid environment (such as a bathroom).