

S6E PRO-NZ

(The letter "E" means English version, "NZ" means No Zigbee)

4" Smart Control Panel(in-wall) SPEC

Ver.	Description	Creator	Date
V1.0	First Edition	Engineer department	Aug-21-2024

Contents

Chapter 1 Product Presentations	3
1.1 Appearance.....	3
1.2 Features & Application Scenarios.....	3
Chapter 2 Product Specifications	4
Chapter 3 Ports and Specifications	5-6
3.1 Interfaces and ports.....	5
3.2 Specifications.....	6
Chapter 4 Installation instructions	7-8
4.1 Installation drawings.....	7
4.2 Wire connection drawings.....	8
Chapter 5 Operation guideline	9-15
5.1 Safety Notes*****.....	9
5.2.1-5.2.10 Operation guideline.....	9-17

Chapter 1 Product presentation

1.1 Appearance



1.2 Features & Application Scenarios

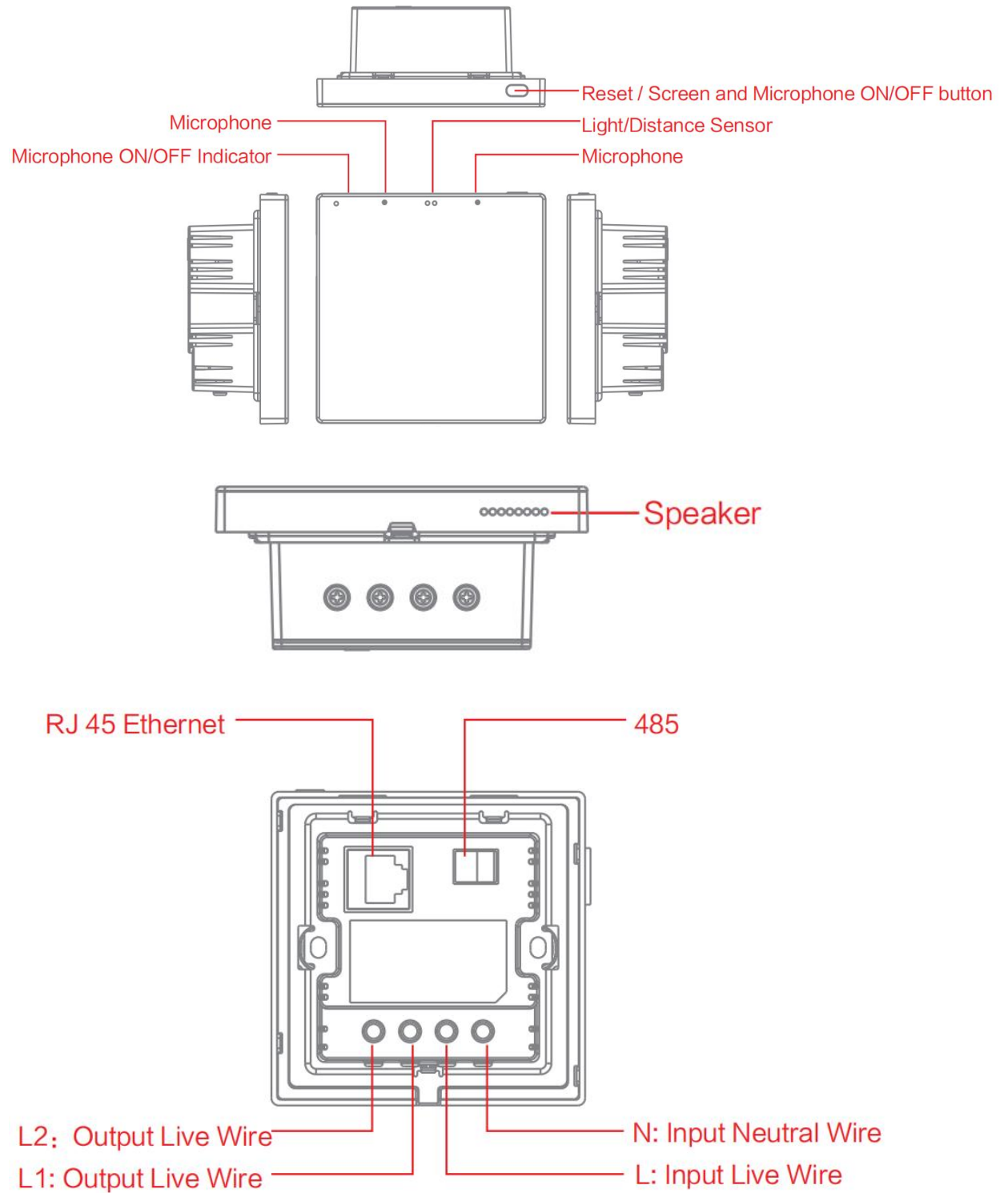
- Fit Asian 86mm*86mm wall boxes, simple inwall installation.
- 4-inch HD LCD, G+F crafted multi touch screen, 2.5D full screen, dual array microphones with noise reduction, auto light sensor, built in 8Ω 1W speaker.
- ZigBee gateway function customizable, APP remote control.
- Control the lights, curtains, switches, and all other smart home devices. Configure smart home scenes in the APP, turn on whole home scene mode or control single device with one touch on the screen.
- The side push button supports screen and microphones ON/OFF protect users privacy

Chapter 2 Product Specifications

Specifications			
CPU	PX30 Quad core Cortex-A35	OS	Android 11
RAM	2G	Screen	4 inch 480*480 Multi-touch 2.5D Full Screen
ROM	8G	BLE	BT 5.2
Ethernet	10M/100M Adaptive Ethernet	RS485	Half-duplex 3.81mm terminals
WiFi	2.4G 802.11a/b/g/n/ac/ax+5G 802.11a/n/ac/ax	Zigbee	/
Sensors	Light/Distance Sensors	Relay	2X200W
Functions			
Wireless modules	Supports installation of customers' Zigbee/Ble Mesh/Z-wave modules. (Needs to match the motherboard)		
Local Switch	Built in 2 relays which can control 2 switches of the room lights locally.		
Light/Distance Sensor	Automatically adjust the screen brightness according to surroundings. Directly detecting at a distance of 50cm, the screen lights up when a person approaching.		

Chapter 3 Ports and Specifications

3.1 Interfaces and Ports



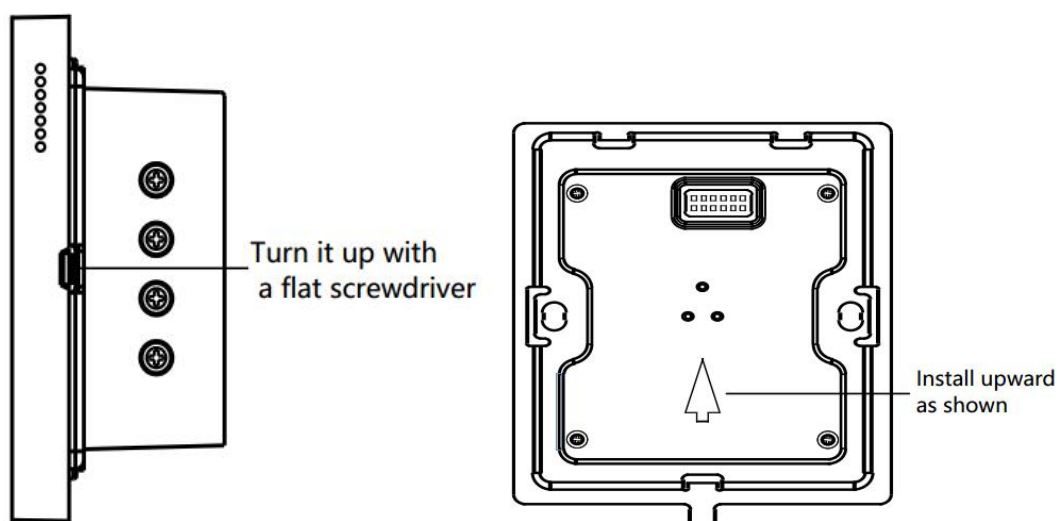
3.2 Specifications

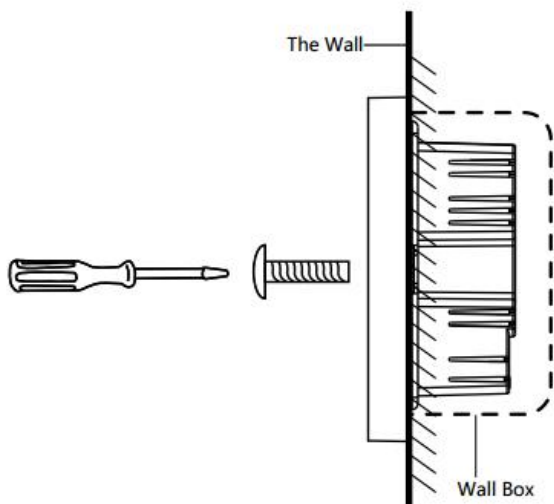
Items	Specifications
Input Voltage	100-240VAC,50/60Hz
Wireless Protocols	Wi-Fi ,Bluetooth
Working Temperature	0°C to +40°C
Working Humidity	5% to 90%RH (Non-condensing)
Product Dimensions	86x86x10mm (without the base) 86x86x36.6mm (with the base) 60.9x62.9x24.6mm (back base dimension) Bolt hole spacing 60mm
Net Weight	210g

Chapter 4 Installation instructions

- Turn off the main power in the electricity box and confirm the live wire is not alive with a test pencil.
- Remove the base of the smart panel and install it in the wall box (as shown in the pictures following).
- Check the wires and make sure the wires are in good contact with the terminals and no exposed copper wires.
- Fasten the base to the wall box with mounting screws and fix the smart panel back to the base.
- Note that the screws should not be fixed too tight during installation in case any deformation or damage to the screen and hardware.
- If the smart panel is not flat after installation, do not press the screen violently, please check the wall box and the base installation at first.

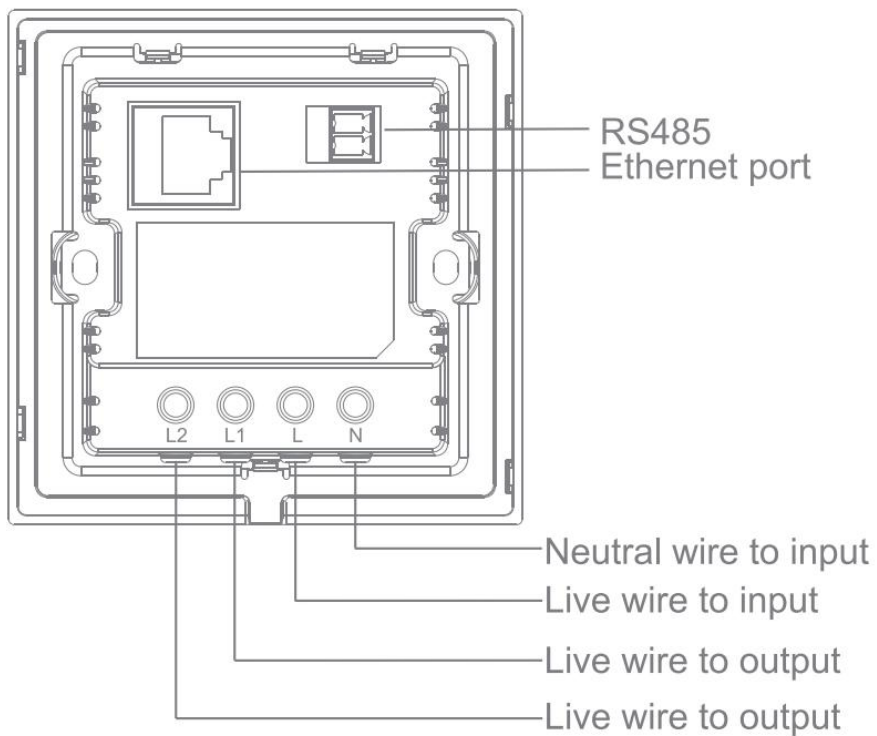
4.1 Installation drawings





Depth of the plastic wall box should be more than 50mm.

4.2 Wires connection drawing



Chapter 5 Operation guideline

5.1 Safety Notes*****

- The product must be installed by professional electricians.
- Turn off the main power in the electricity box and confirm the live wire is not alive with a test pencil.
- The product should be kept away from fire and water during installation and use.
- The product can not be used in moisture circumstances such as bathroom.
- Please note the product does not support POE power supply. Do not connect PoE switch to this product which would cause damage to the product.