

S9KE (KNX)

10.1-inch KNX Smart Home Control Panel Specifications

■ Version update instructions

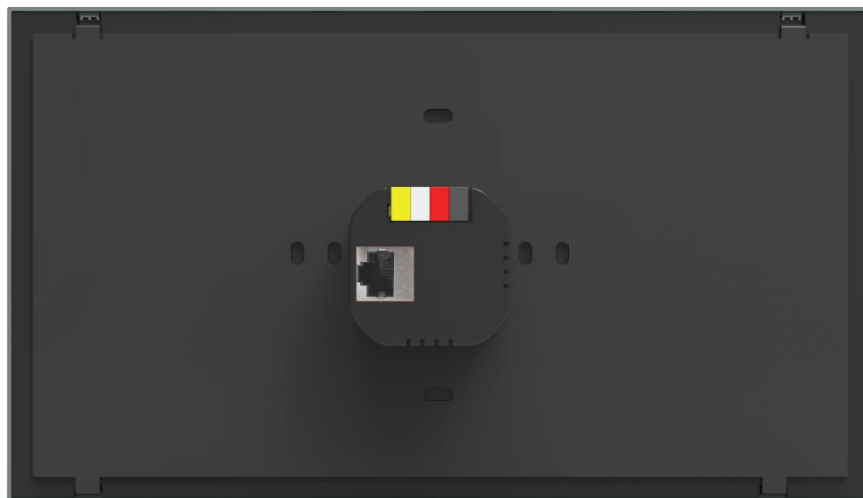
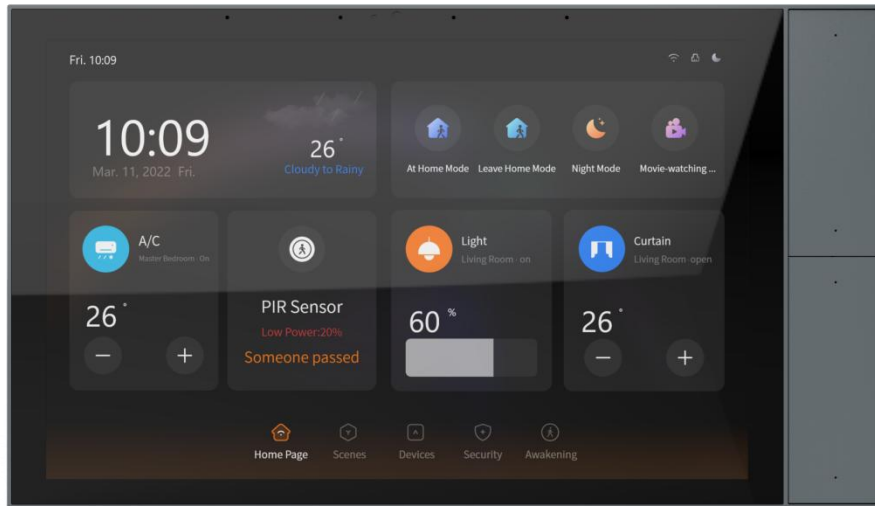
Version	Update content	Creator	Date
V1.0	First edition	Engineer Team	June 17, 2024
V2.0	Update description of KNX wiring schematics.	Engineer Team	June 24, 2024
V3.0	Updated powering instructions and weights.	Engineer Team	September 19, 2024
V4.0	Increase the number of supported devices and scenarios	Engineer Team	May 23, 2025

Contents

Chapter 1 Product Introduction	2
1.1 Product Appearance	2
1.2 Product Functions	3
Chapter 2 Product Parameters and Key Dimensions	4
2.1 Parameter Specifications	4
2.2 Key Dimensions	5
Chapter 3 Interface Description	6
3.1 Interface Description	6
3.2 KNX Wiring Diagram	8
Chapter 4 Installation Diagram and Instructions	9
4.1 Installation Diagram	9
4.2 Installation Instructions	10
Chapter 5 Product Instructions	11
5.1 Safety Instructions	11
5.2 Product KNX Configuration Instructions*** To be updated	11

Chapter 1 Product Introduction

1.1 Product Appearance



1.2 Product Functions

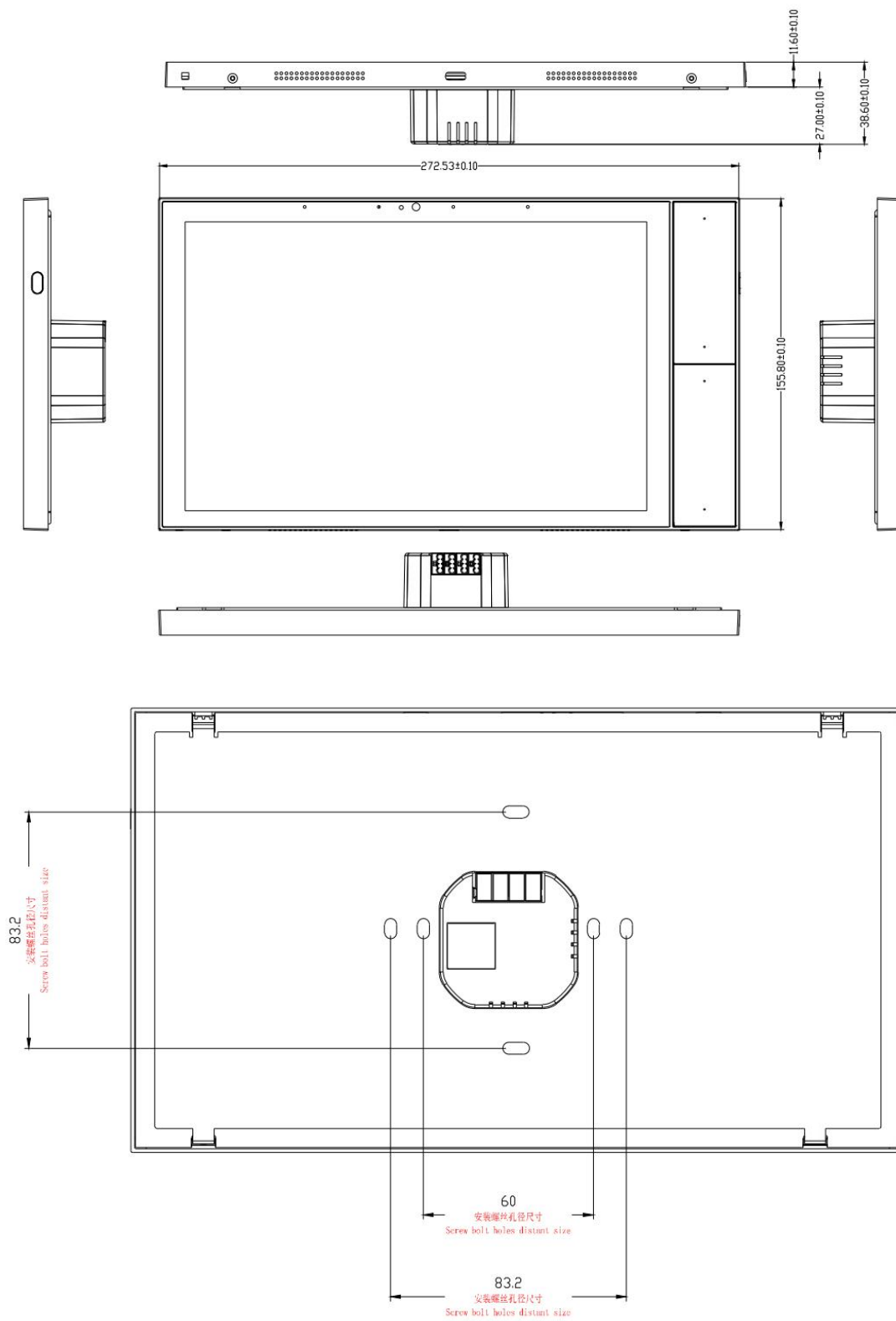
- 10.1-inch LCD, 1920*1200 resolution, G+FF process touch, anti-fingerprint oil layer, four-way linear array microphone, 1M millimeter wave radar distance sensor, light sensor, 4 ohm 2W dual speakers, camera(ODM only), four physical buttons.
- Extra large panel size, power box concealed in the wall, easy installation, no need to modify the wall. Suitable for various wall boxes(Asian, EU, UK, US).
- KNX bus control can realize the control of switches, lights, curtains, air conditioners, fans, and other intelligent devices.
- Smart home interconnection, customized scene mode, touch the panel to quickly switch scene mode.
- Support one-click screen off, shutdown and restart of the device.

Chapter 2 Product Parameters and Key Dimensions

2.1 Parameter Specifications

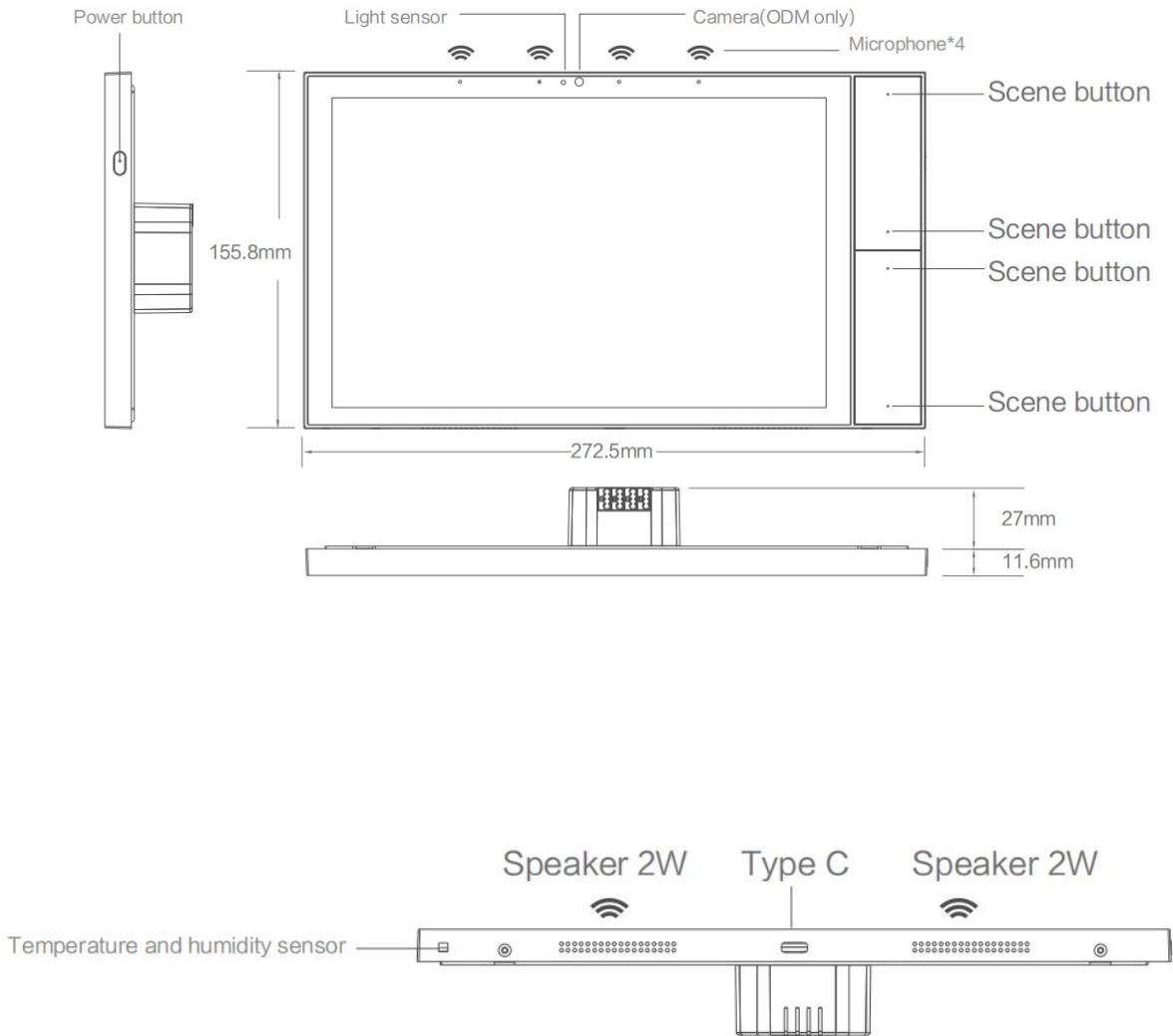
Functions	Parameter Specifications	
CPU	RK3566 Quad-core Cortex-A55	
RAM + ROM	2GB LPDDR4 + 32GB eMMC	
Screen	10.1 inches 1920*1200, G+FF process touch screen	
System	Android 11	
Mic & Speaker	Four-microphone line array Mic, 4 ohm 2W*2 Speaker	
Bluetooth	BT 5.2, support classic Bluetooth	
Sensors	Radar distance sensor, light sensor, temperature&humidity sensor	
Ethernet	100M network	
WIFI	2.4&5GHz, 802.11a/b/g/n/ac/ax	
Interface	Type-C (USB-C)	
Buttons	4 function buttons, 1 power button	
KNX Control	Support scenes	≤ 150 scenes
	Support devices	≤ 150 devices
	Devices type and quantity	Switch, dimming Light, color temperature light, RGB light, roller blinds, sliding curtains, air conditioners, underfloor heating, fresh air ventilators
Working voltage	24V DC (24V-30V)	
Working temperature	0°C~40°C	
Working humidity	≤90% RH	
Storage temperature	-20°C~60°C	
Net weight	950g	
Dimensions	272X155X11.5mm (Without back base) 272X155X38mm (with back base)	

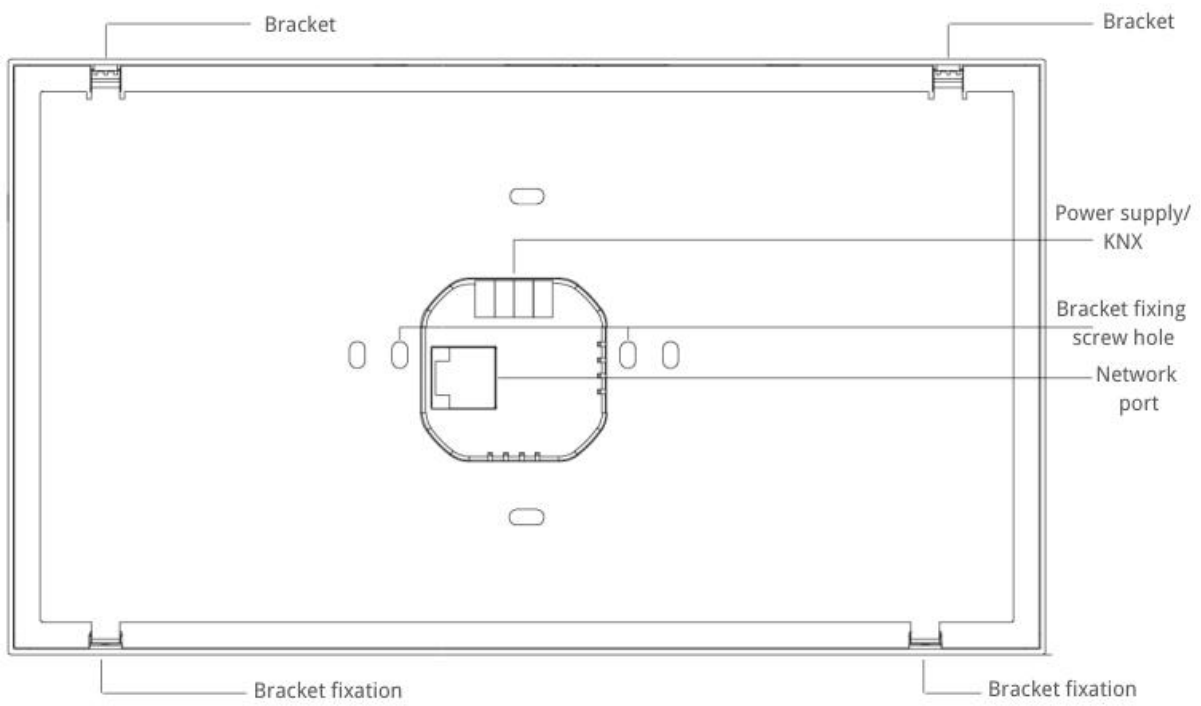
2.2 Key Dimension



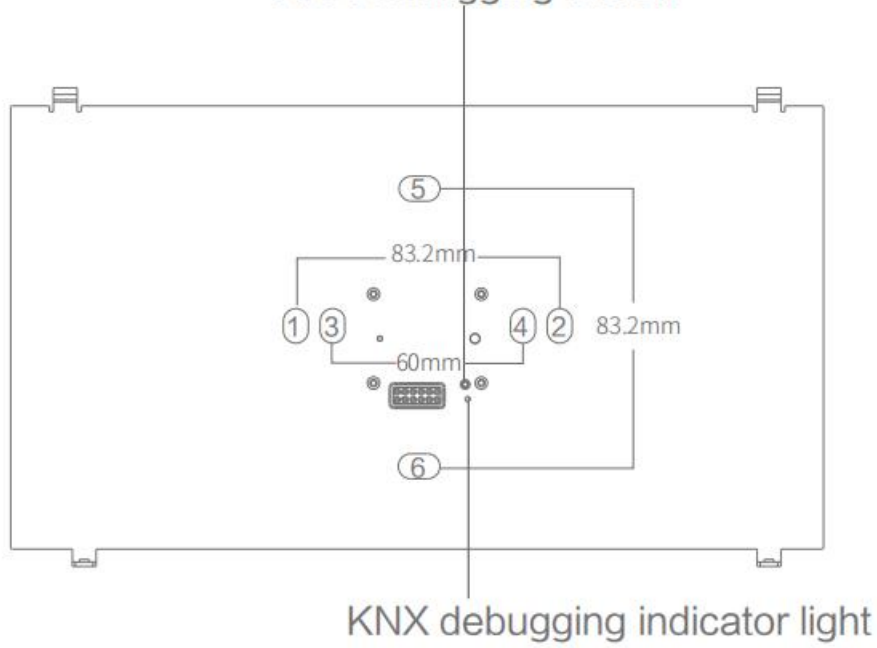
Chapter 3 Interface Description

3.1 Interface Description

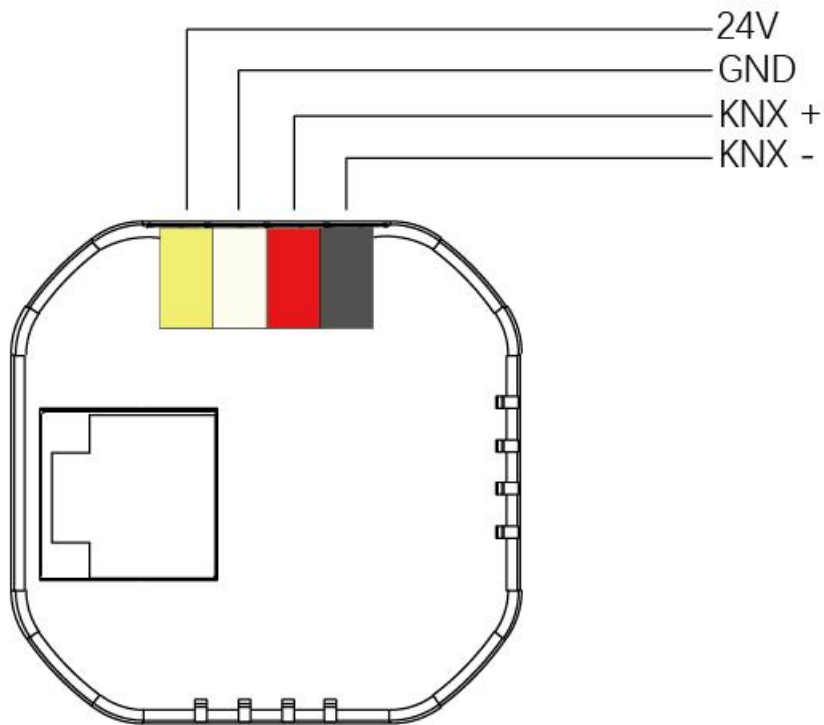




KNX debugging button



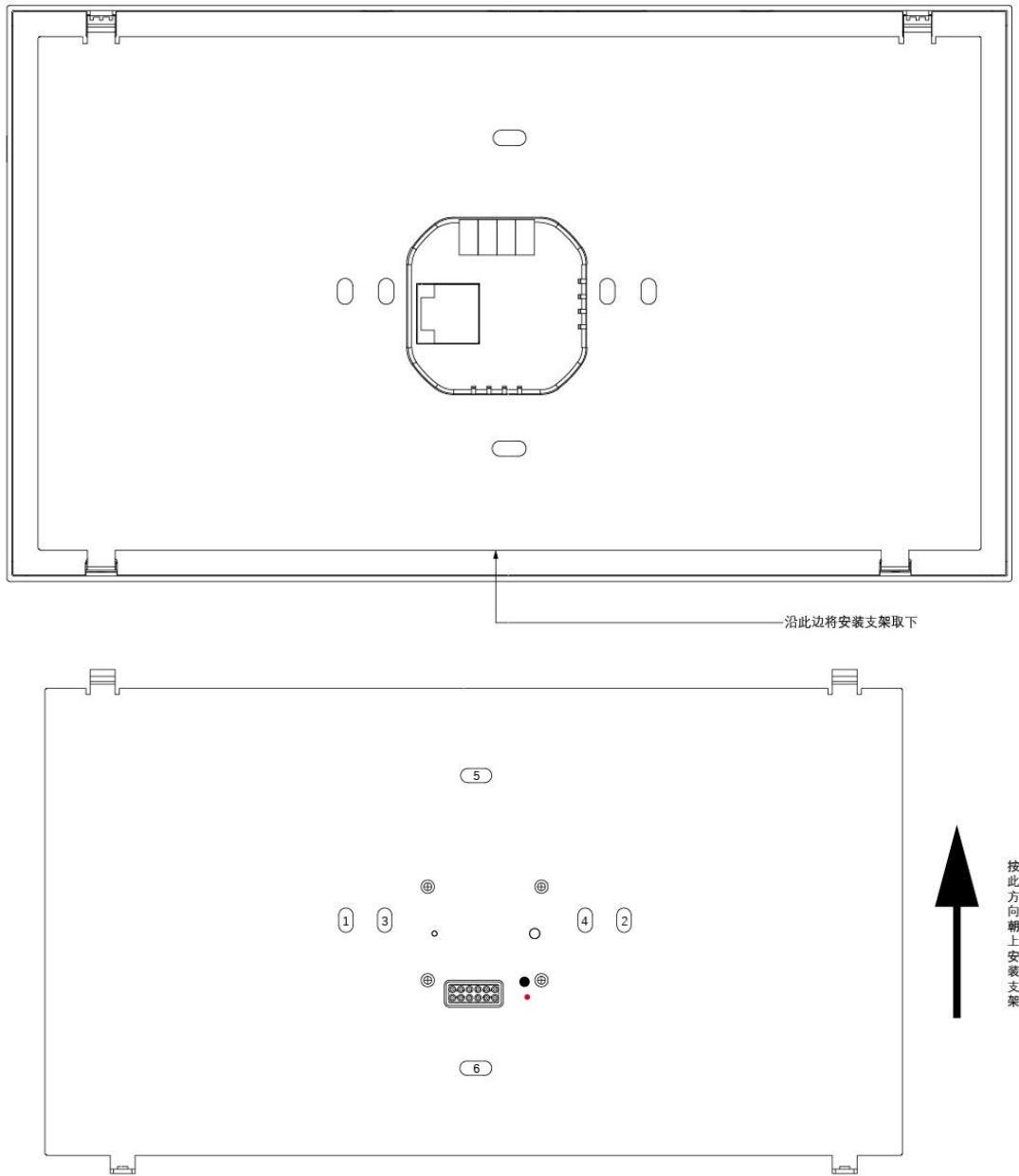
3.2 KNX Wiring Diagram



- The Red and Black terminals are KNX bus interfaces, and the Yellow and White terminals are auxiliary power supply interfaces.
- Black: KNX -, Red: KNX +; White: GND, Yellow: DC 24V input.
- The network port is a standard RJ45 network port.

Chapter 4 Installation Diagram and Instructions

4.1 Installation Diagram

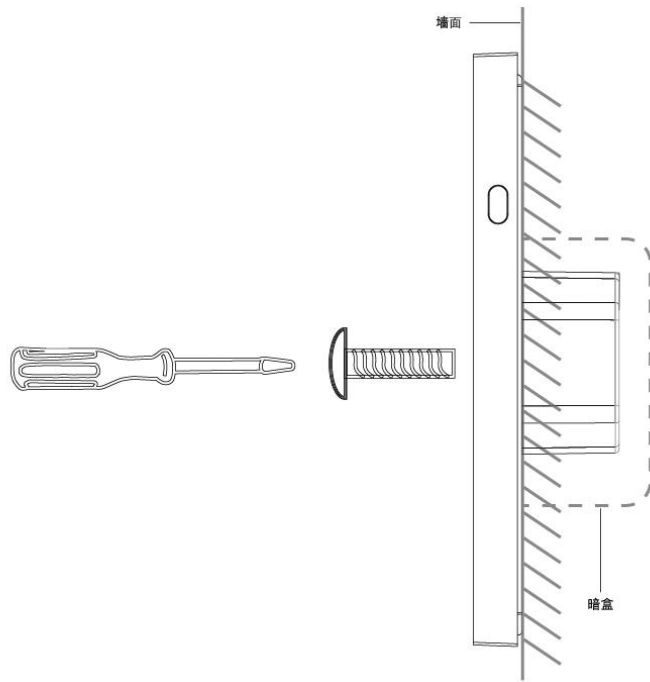


Schematic diagram of the screw holes for the wall box:

Hole 1 and 2 are suitable for horizontal wall boxes of US standard;

Hole 3 and 4 are suitable for European and Asian wall boxes;

Hole 5 and 6 are suitable for vertical wall boxes of US standard



4.2 Installation Instructions

- Use a flat-blade screwdriver to remove the product bracket and back base, and install them in the wall box.
- Check the wiring and confirm that the KNX cable and power cable are in good contact with the wiring terminals of the back base and the cables are not falling off.
- Use the mounting screws in the accessory package to lock the bracket base on the wall box, ensure that the bracket is flush with the wall, and then gently press and snap the panel together.
- Note that during the installation of the bracket, the mounting screws should not be tightened too much to avoid deformation of the bracket or damage to the screen and hardware.
- If you encounter problems during installation, do not press hard to force the installation. You should first level the wall and check the flatness of the bracket.

Chapter 5 Product Instructions

5.1 Safety Instructions

- To ensure the correct use of this product, this product must be installed or removed by a professional electrician.
- Before installing or removing this product, the main power switch must be turned off to prevent electric shock.
- This product must be kept away from fire and water during installation and use.
- This product cannot be used in a humid environment (such as a bathroom).

5.2 Product KNX Configuration Instructions*** **To be updated**