

8" Smart Multi-functional Knob Panel(in-wall) SPEC

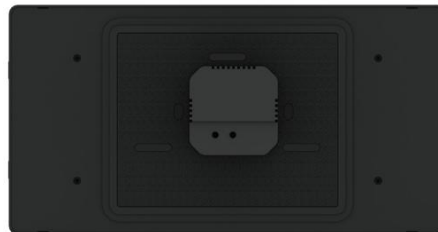
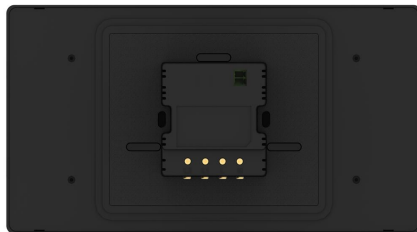
Ver.	Description	Creator	Date
V1.2	First edition	Engineer Department	Oct.-13-2023

Contents

Chapter 1 Product presentations	3
1.1 Appearance	3
1.2 Main Features	3
Chapter 2 Product Specifications	4
RK3326S Quad core Cortex-A35	4-5
Chapter 3 Ports and Specifications	5
3.1 Interface and ports	5-6
3.2 Specifications	7
Chapter 4 Installation instructions	8
4.1 Installation drawings	8-9
4.2 Wires connection drawing	10
Chapter 5 Operation guideline	11
5.1 Safety Notes*****	11
5.2 Operation guideline	11-19

Chapter 1 Product presentation

1.1 Appearance



1.2 Main Features

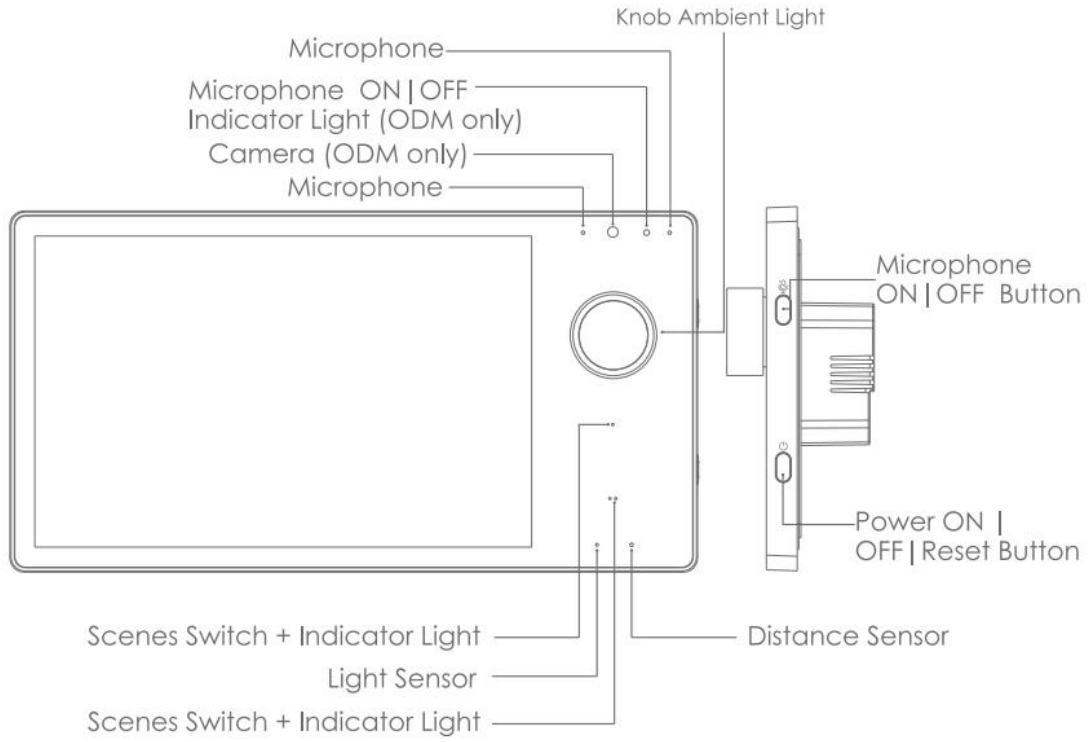
- With **optional Asian | EU | US back base**, one design for **global users**, simple inwall installations.
- 8-inch HD LCD, IPS, multi touch screen, double microphones with noise reduction, built in 2 x 1W speakers, light sensor, temperature and humidity sensor.

Chapter 2 Product Specifications

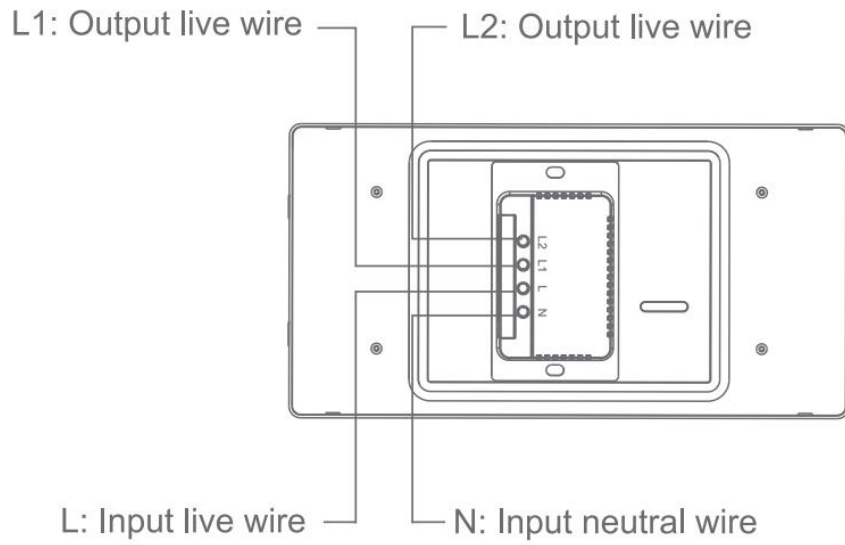
Specification			
CPU	RK3326S Quad core Cortex-A35	OS	Android 11
RAM	2GB	Screen	8 Inch (800*1280) Multi-Touch Screen
ROM	8/32GB	Bluetooth	BLE 5.2 Single point
WiFi	2.4G/5G (IEEE802.11a/b/g/n/ac/ax)	Zigbee	N/A
Relay (Only for Asian)	2 Circuits (200W Each)	Key	Scene Switch*2 with indicator lights
Ethernet (Only for Asian)	10M/100M Adaptive Ethernet	Push Button	On OFF RESET all in one button
Functions			
Mic&Speaker	Built-in dual array microphones, 1W*2 Mono speakers		
Sensor	Proximity, Brightness, Temperature, Humidity		

Chapter 3 Ports and Specifications

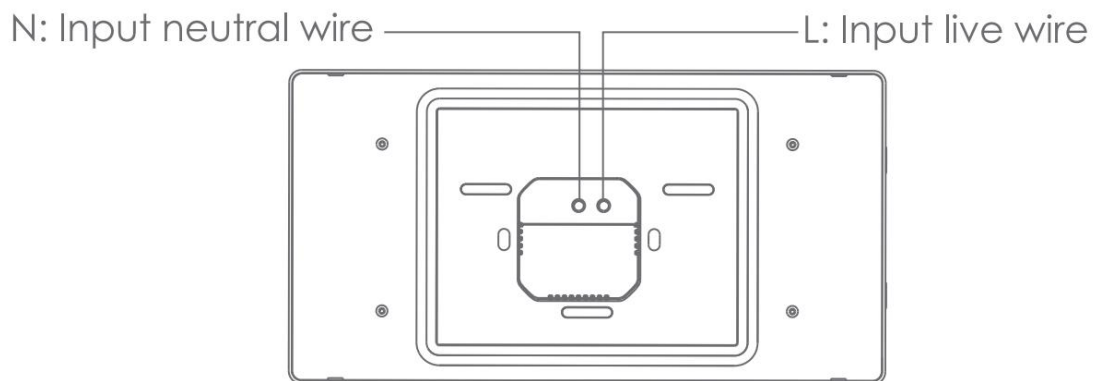
3.1 Interface and ports



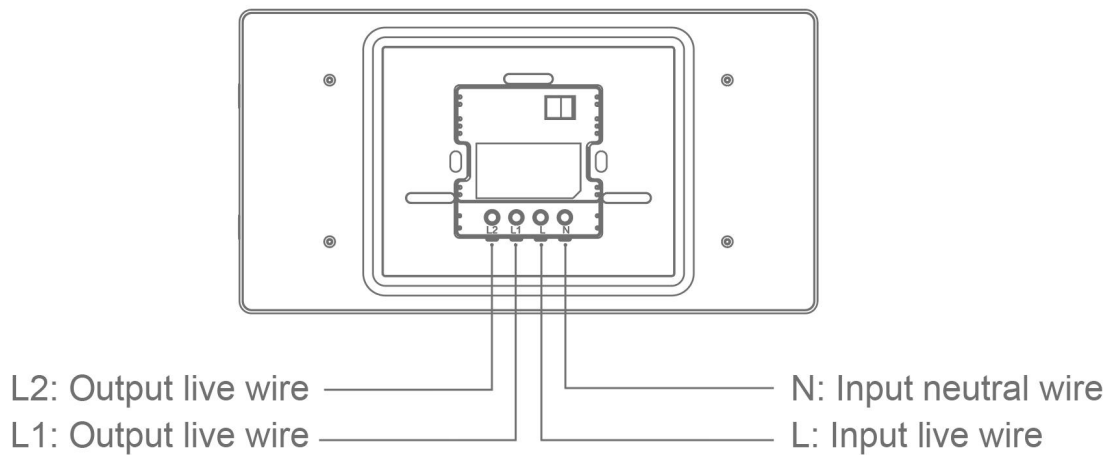
Option 1 - US Back Base



Option 2 - EU | UK | UAE Back Base



Option 3 - Asian Back Base



3.2 Specifications

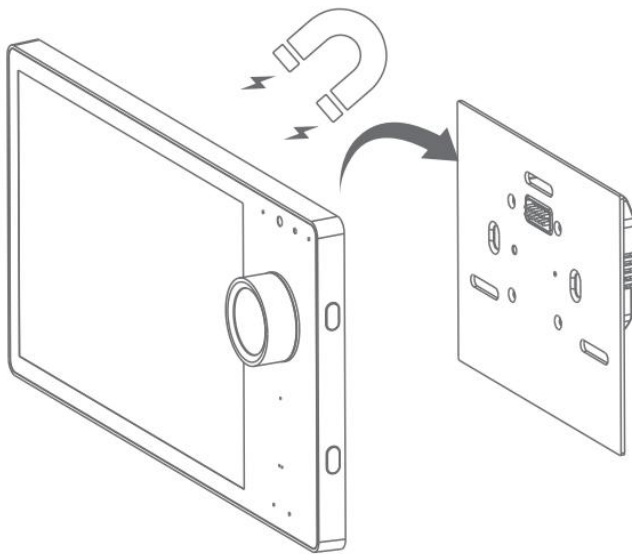
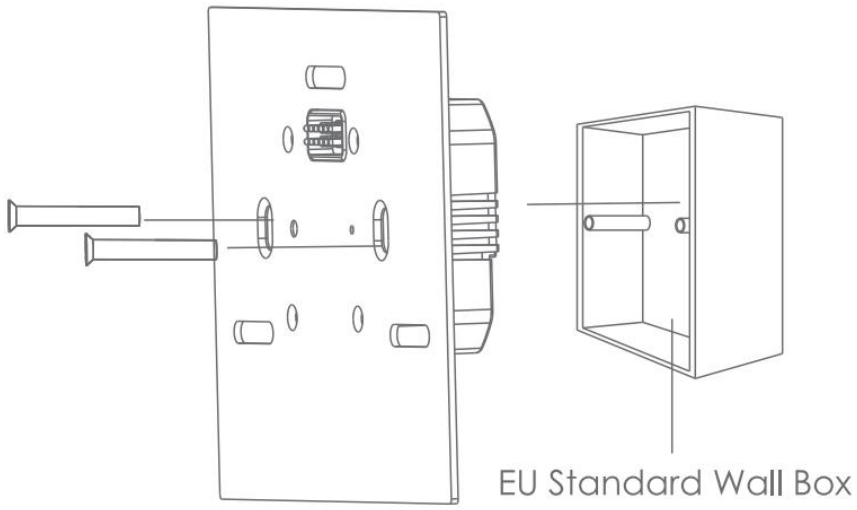
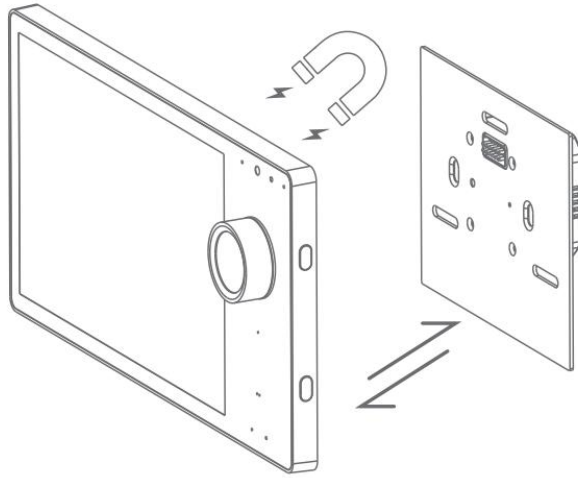
Item	Specifications
Product Name	8" Smart Multi-functional Knob Panel
Product Model	T8E
Input Power	100-240VAC, 50/60Hz
Working Temperature	0°C to +40°C
Working Humidity	5% to 90%RH(Non-condensing)
Wireless Protocol	Wi-Fi, Bluetooth
Product dimensions	1, T8E-AS :238.4x125x36.4mm(With the back base), 2, T8E-US : 238.4 x 125 x 35.9mm (With the back base) 3, T8E-EU :238.4 x 125 x 37mm (With the back base) 4, Shared Dimensions: 238.4 x 125 x 10.6mm (Without the back base)
Net weight	About 772g

Chapter 4 Installation instructions

- **Turn off the main power in the electricity box and confirm the live wire is not alive with a test pencil.**
- **Check the wires and make sure the wires are in good contact with the terminals and no exposed copper wires.**
- **Separate the back base from panel by built-in magnetic force (as shown in the pictures following).**
- **Connect the live wire to terminal L and neutral wire to terminal N.**
- **Fasten the base to the wall box with mounting screws and fix the smart panel back to the base by built-in magnetic force.**
- **Note that the screws should not be fixed too tight during installation in case any deformation or damage to the screen and hardware.**
- **If your smart panel is not flat after installation, do not press the screen violently, please check the wall box and the base installation at first.**

4.1 Installation drawings

(Taken EU wall boxes installation as an example.)

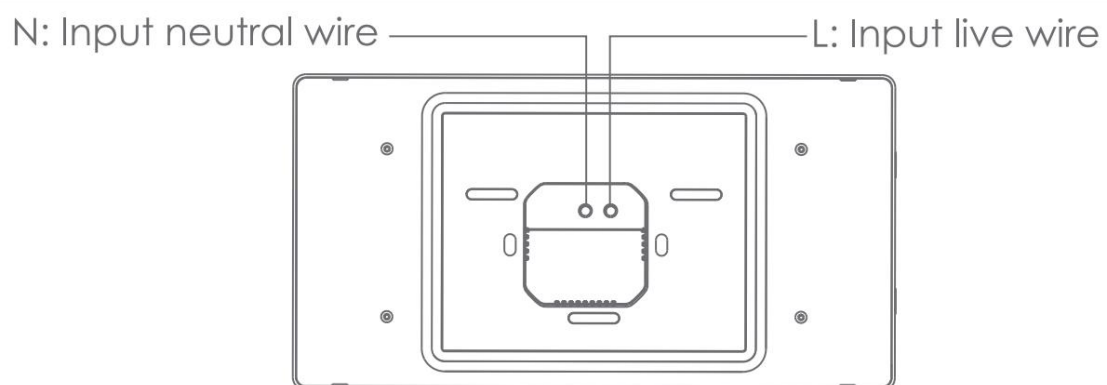


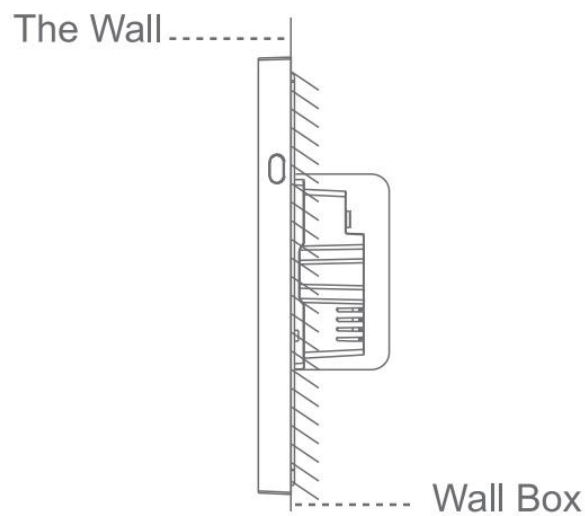
Note: Make sure the circuit power were cut off before wire connections!

Circuit breaker used as disconnected device shall be incorporated in the electrical installation of the building.

Depth of the wall box should be more than 50mm.

4.2 Wires connection drawing





Chapter 5 Operation guideline

5.1 Safety Notes*****

- This product must be installed by professional electricians.
- Turn off the main power in the electricity box and confirm the live wire is not alive with a test pencil, and this product should be kept away from fire and water during installation and use.
- This product can not be used in moisture circumstances such as bathroom.