

10.1 inch Smart Touchscreen Spec. T10RE (Relays Version)

■ Version update instructions

Ver.	Description	Creator	Date
v1.0	First Version	Engineer Dept.	Dec-12-2024

Model Description:

T10RE-NZ: Open Android version, **without** software. It is for customers to develop and install their firmware and modules (Such as Zigbee, Mesh, etc that fit in our mainboard).

Contents

Chapter 1 Product Introduction	错误! 未定义书签。
1.1 Appearance	错误! 未定义书签。
1.2 Features	错误! 未定义书签。
Chapter 2 Product Specifications	错误! 未定义书签。
2.1 Parameter Specifications	3
2.2 Key Dimensions	5
Chapter 3 Interface and Wiring Instructions	错误! 未定义书签。
3.1 Interface Instructions	6
3.2 Wiring Diagram	7
Chapter 4 Installation Diagram and Instructions	8
4.1 Installation Diagram	8
4.2 Installation Instructions	9
Chapter 5 Product Usage Instructions	10
5.1 Safety Instructions	10

Chapter 1 Product Introduction

1.1 Appearance



1.2 Features

- 10.1-inch TFT LCD, G+FF touch screen, anti-fingerprint oil layer, four-way linear array microphone, 8-ohm 1W dual speakers, 1 physical power button, 100-240VAC power input.
- Supports distance sensing to wake up the screen, light sensing screen adaptive brightness adjustment.
- Supports one-click screen off, shutdown and restart of the device.
- Supports Asia standard 86-type wall-mounted box installation.
- Supports 2 gang relay outputs, and a single load can meet 200W.

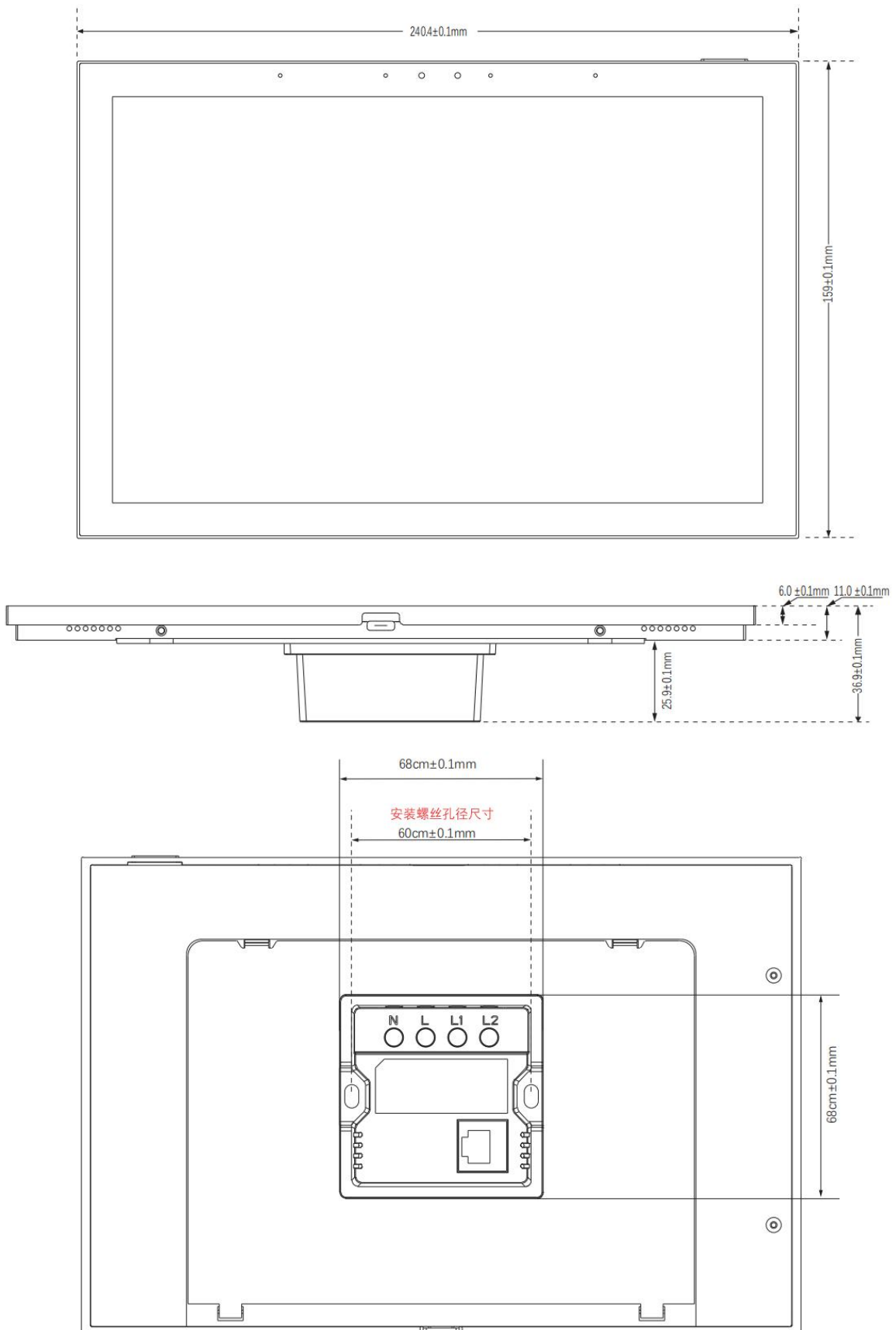
Chapter 2 Product Specifications

2.1 Parameter Specifications

Product Configuration Parameters				
	Name	Content	Detailed parameters	Remarks
1	CPU	Rock Chip	RK3566 Quad-core Cortex-A55	
2	RAM	LPDDR4	2G	
3	ROM	EMMC	32G	
4	OS	Android	Android 11	
5	Screen	10.1 inch	1280*800 Capacitive, G+FF process	
6	Wireless connection	WIFI	2.4&5GHz	802.11a/b/g/n/ac
		BLE	BT 5.4	
		ZigBee	N/A	
	Antenna	WIFI+BLE	IPEX terminal+FPC	
7	Wire connection	Ethernet	10/100Mbps	Don't Support POE
8	Sensors	Light sensor	Built-in	
		Proximity Sensor	≤50CM	
		T&H	Temperature&humidity sensor	Built in
9	Mic& Speaker	Microphone	Four-microphone line array	
		Speaker	8Ω1W * 2	
10	Interface and buttons	USB	Type-C	USB-C
		Power button	Physical button	
		Power interface	2P, copper terminal	N input / L input
		Relay interface	2P, copper terminal	L1out / L2out

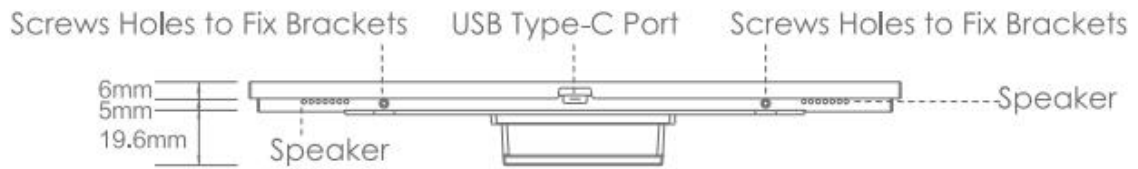
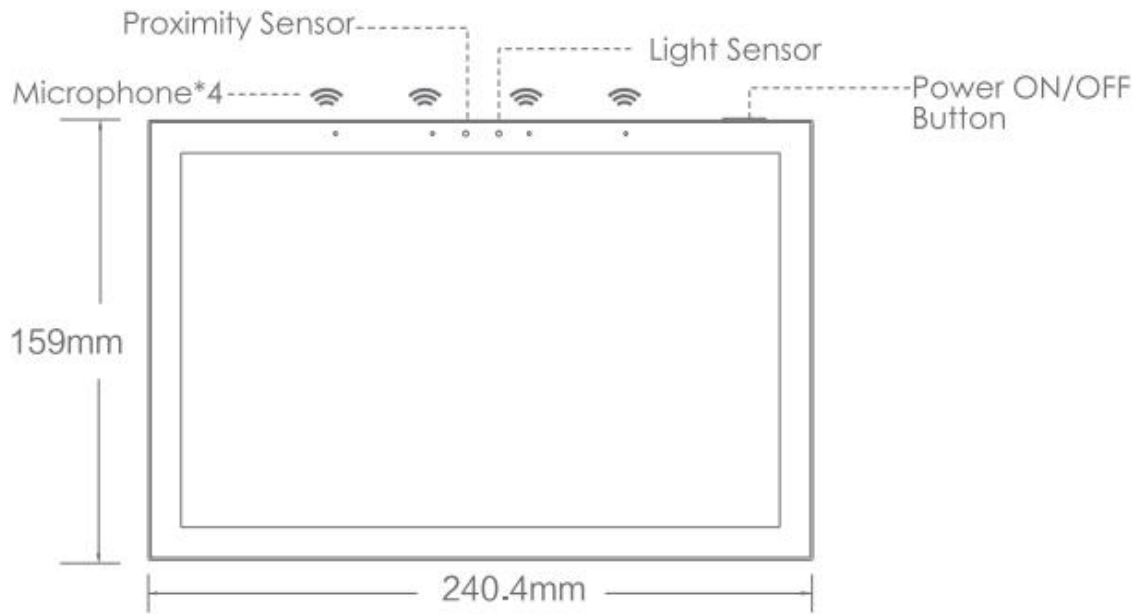
11	Power supply	AC power input	AC100~220V	
12	Product appearance	Product Size	240.4 x 159 x 37.4 mm	With back base
		Middle frame material	Aluminum alloy CNC, anodized	
		Mid frame color	Tartan/Gray	可调
		Back case material	PC	
		Back case color	Black	
		Base box material	PC	
		Base box color	Black	
13		Power button	Aluminum alloy CNC, anodized	
14	Bracket	Material	Metal	
15	Back base	Suitable Wall Box	Fits in EU/UK/US/Asia wall box	
Reliability				
1	Dust and water resistance level		IP50	
2	ESD		Contact 6K, Air 10K	
3	Surge (power and network port)		1KV	
4	Operating temperature		0℃—40℃	
5	Operating humidity		90%RH	
6	Storage temperature		-10—60℃	

2.2 Key Dimensions

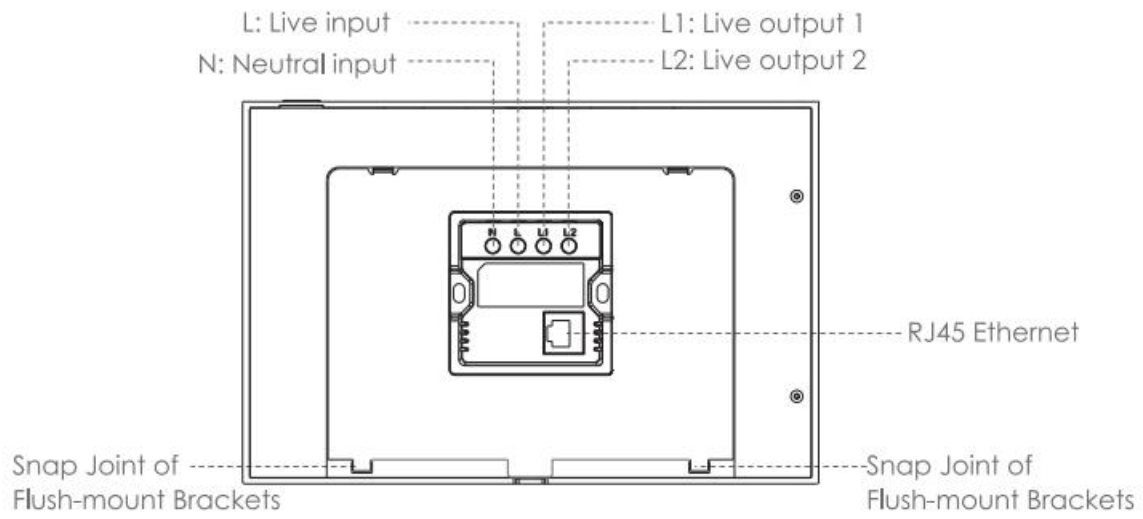


Chapter 3 Interface and Wiring Instructions

3.1 Interface Instructions



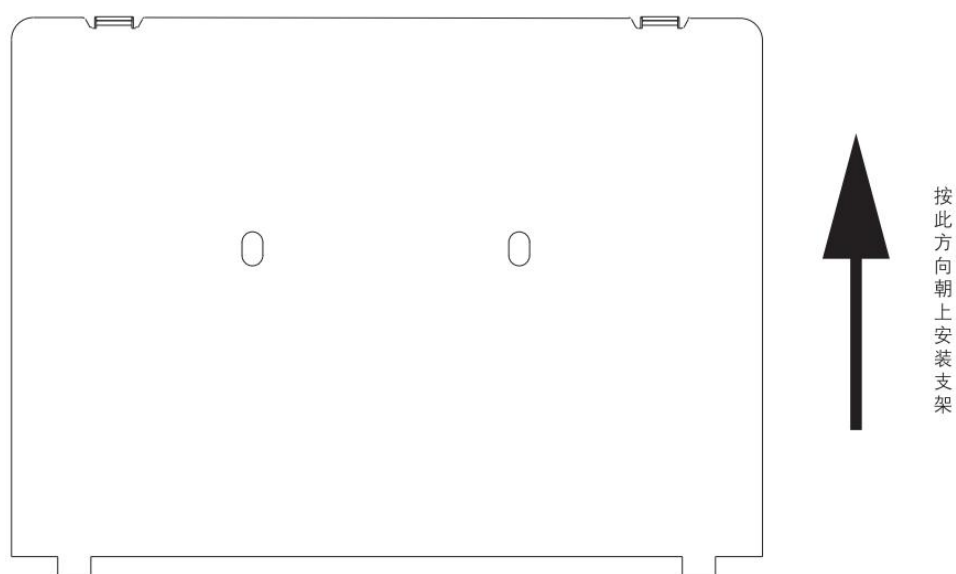
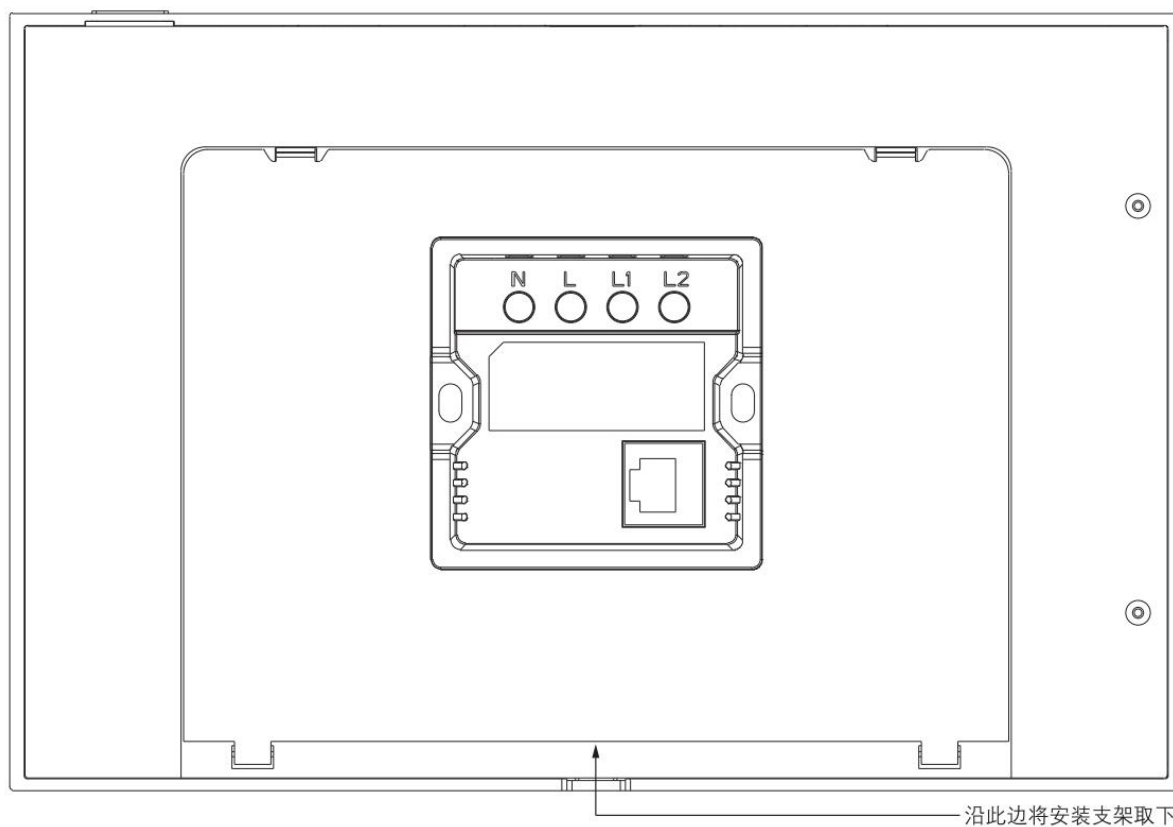
3.2 Wiring Diagram

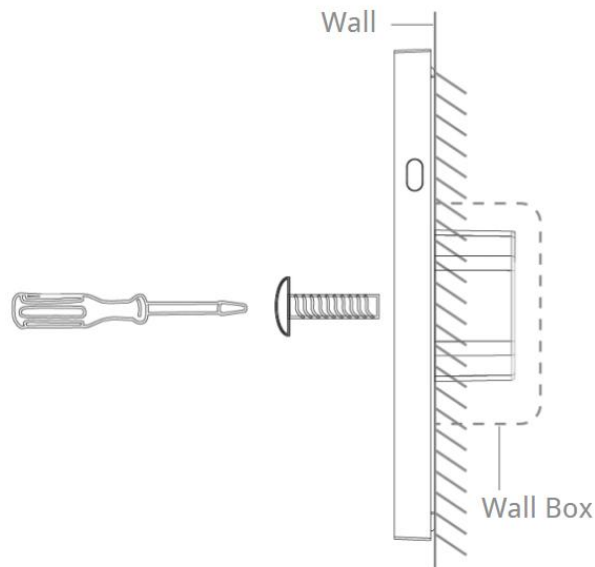


Note: The product is connected to AC power supply. Please be sure to turn off the power during installation or wiring.

Chapter 4 Installation Diagram and Instructions

4.1 Installation Diagram





4.2 Installation Instructions

- Use a flat-blade screwdriver to remove the product bracket and back base, and install them in the wall box.
- Check the wiring and make sure that the AC power cord is in good contact with the terminal head of the bottom box and is not loose or falling off.
- Use the mounting screws in the accessory package to lock the bracket base on the wall box, ensure that the bracket is flush with the wall, and then gently press and snap the panel together.
- Note that during the installation of the bracket, the mounting screws should not be tightened too much to avoid deformation of the bracket or damage to the screen and hardware.
- If you encounter problems during installation, do not press hard to force the installation. You should first level the wall and check the flatness of the bracket.

Chapter 5 Product Usage Instructions

5.1 Safety Instructions

- To ensure the correct use of this product, this product must be installed or disassembled by a professional electrician.
- Before disassembling the original wall panel product, the main power switch must be turned off to prevent electric shock. This product is a AC 100-220V input. Make sure there is a corresponding voltage power supply in the wall box.
- This product must be kept away from fire and water during installation and use.
- This product cannot be used in a humid environment (such as a bathroom).
- This product don't support POE.