

# 10.1 inch Smart Touchscreen Spec. T10VE (Intercom Version)

■ Version update instructions

Ver.	Description	Creator	Date
v1.0	First Version	Engineer Dept.	Dec-12-2024

# Contents

<b>Chapter 1 Product Introduction</b> .....	1
1.1 Appearance .....	1
1.2 Features .....	2
<b>Chapter 2 Product Specifications</b> .....	3
2.1 Parameter Specifications .....	3
2.2 Key Dimensions .....	5
<b>Chapter 3 Interface and Wiring Instructions</b> .....	6
3.1 Interface Instructions .....	6
3.2 Wiring Diagram .....	7
<b>Chapter 4 Installation Diagram and Instructions</b> .....	8
4.1 Installation Diagram .....	8
4.2 Installation Instructions .....	9
<b>Chapter 5 Product Usage Instructions</b> .....	10
5.1 Safety Instructions .....	10

# Chapter 1 Product Introduction

## 1.1 Appearance



## 1.2 Features

- 10.1-inch TFT LCD, G+FF process touch, anti-fingerprint oil layer, four-way linear array microphone, 8 ohm 1W dual speakers, 1 physical power button, DC9V-24V power input.
- Supports distance sensing to wake up the screen, light sensing screen adaptive brightness adjustment.
- Supports one-click screen off, shutdown and restart of the device.
- Supports Asia standard 86-type and UK square wall-mounted box installation.
- Support video intercom, security detection and RS485 communication.

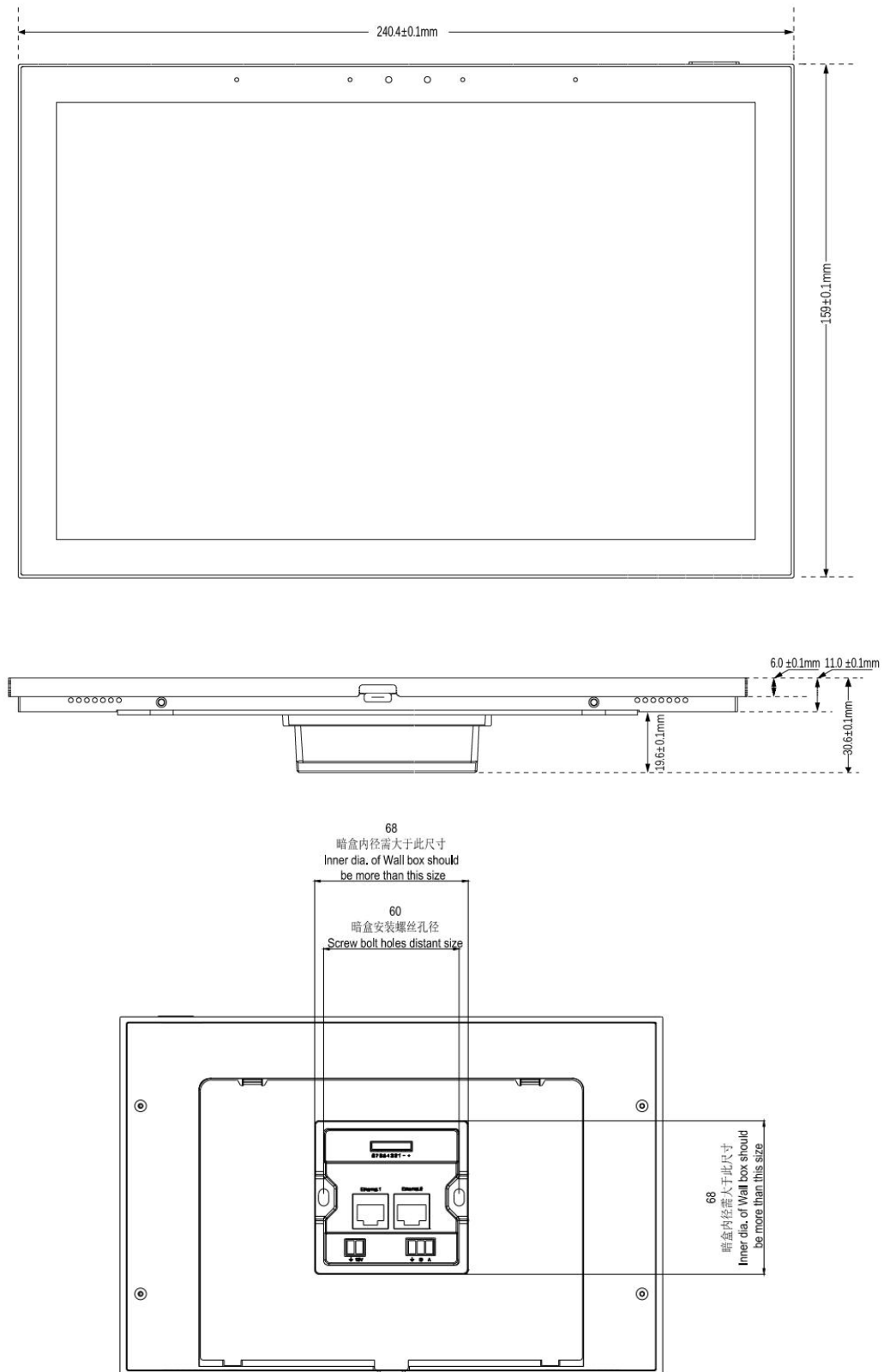
# Chapter 2 Product Specifications

## 2.1 Parameter Specifications

Product Configuration Parameters				
	Name	Content	Detailed parameters	Remarks
1	CPU	Rock Chip	RK3566 Quad-core Cortex-A55	
2	RAM	LPDDR4	2G	
3	ROM	EMMC	32G	
4	OS	Android	Android 11	
5	Screen	10.1 inch	1280*800 Capacitive, G+FF process	
6	Wireless connection	WIFI	2.4&5GHz	802.11a/b/g/n/ac
		BLE	BT 5.4	
		ZigBee	N/A	
	Antenna	WIFI+BLE	IPEX terminal+FPC	
7	Wire connection	RS485	Half-duplex	
		Ethernet	10/100Mbps	WAN/LAN
		Security detection	Standard security interface	
8	Sensors	Light sensor	Built-in	
		Proximity Sensor	≤50CM	
		Temperature& humidity sensor	N/A	
9	Microphone & Speaker	Microphone	Four-microphone line array	
		Speaker	8Ω1W * 2	
10	Interface and	USB	Type-C	USB-C

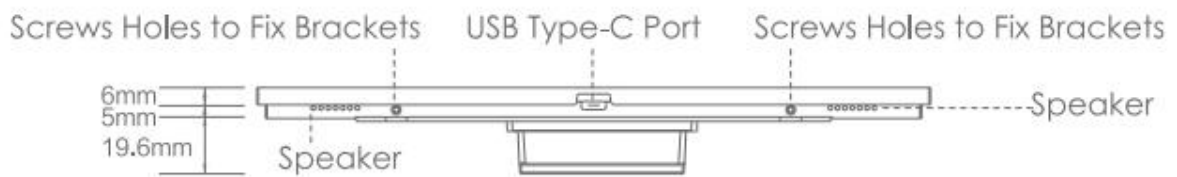
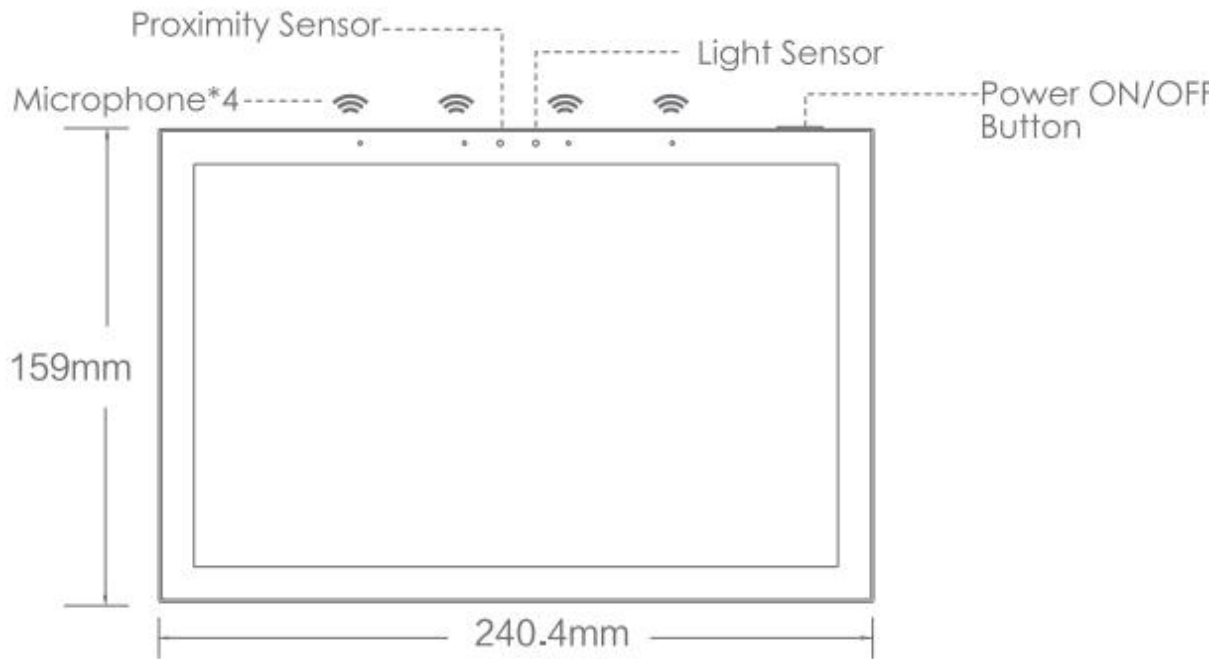
	buttons	Power button	Physical button	
		Power interface	2P, 3.81MM Phoenix interface	DC / GND
		RS485 interface	3P, 3.81MM Phoenix interface	A / B / GND
		Video intercom interface	Standard RJ45*2	No PoE
		Security interface	8P, 1.25 terminal block	
11	Power supply	DC power input	DC9V-24V	
12	Product appearance	Product Size	240 x 159 x 31 mm	With back base
		Frame material	Aluminum	
		Mid frame color	Black	
		Back case material	PC	
		Back case color	Black	
		Base box material	PC	
		Base box color	Black	
13		Power button	Aluminum alloy CNC, anodized	
14	Bracket	Material	Metal	
<b>Reliability</b>				
1	Dust and water resistance level		IP50	
2	ESD		Contact 6K, Air 10K	
3	Surge (power and network port)		1KV	
4	Operating temperature		0℃—40℃	
5	Operating humidity		90%RH	
6	Storage temperature		-10—60℃	

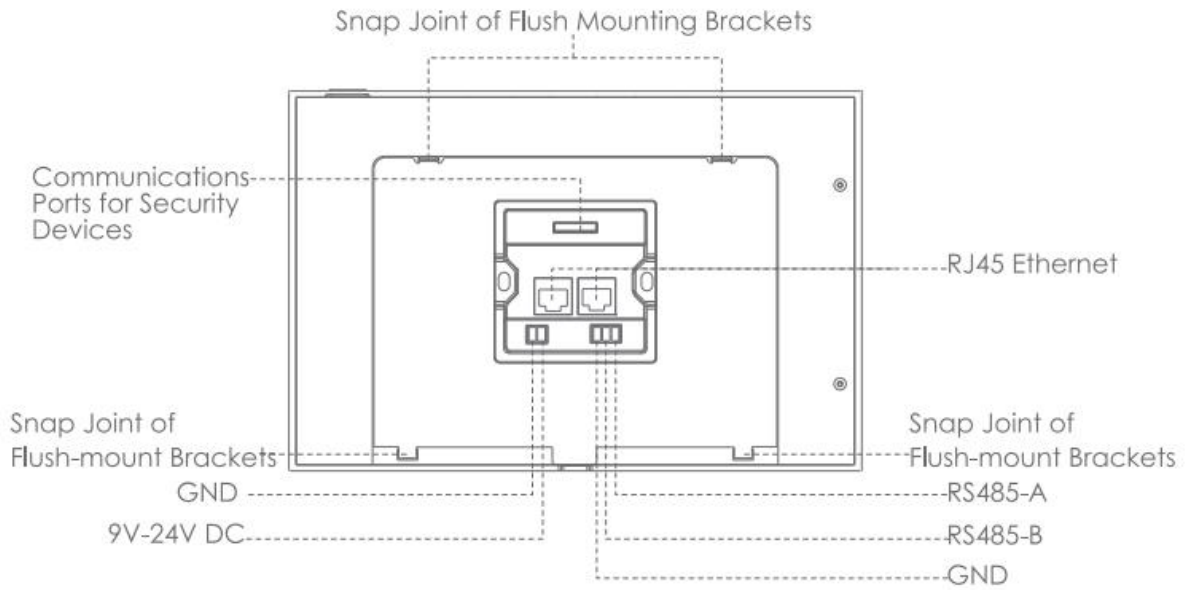
## 2.2 Key Dimensions



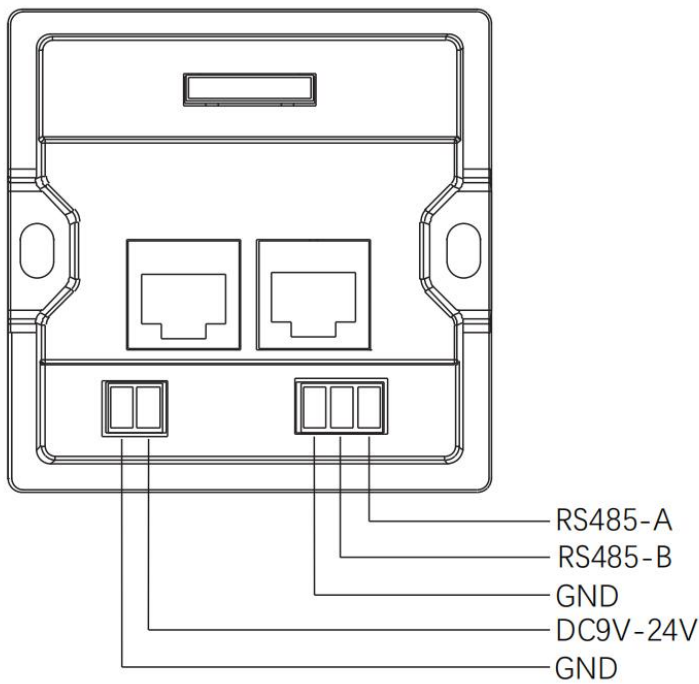
# Chapter 3 Interface and Wiring Instructions

## 3.1 Interface Instructions





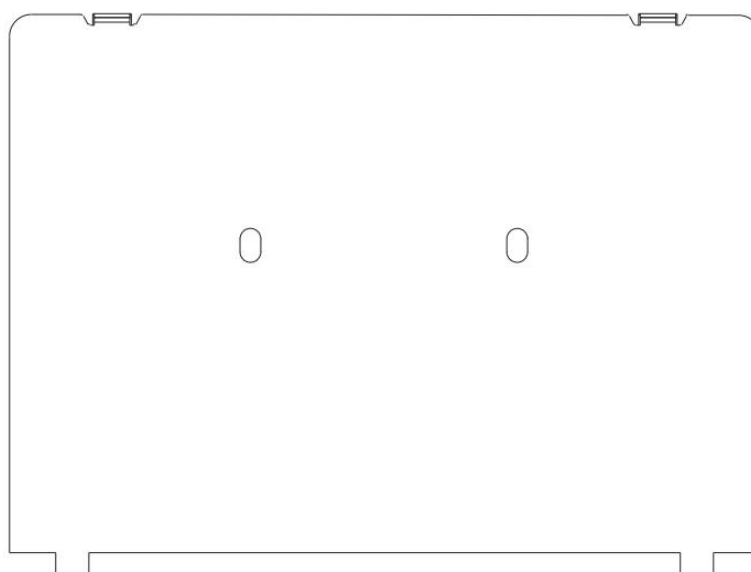
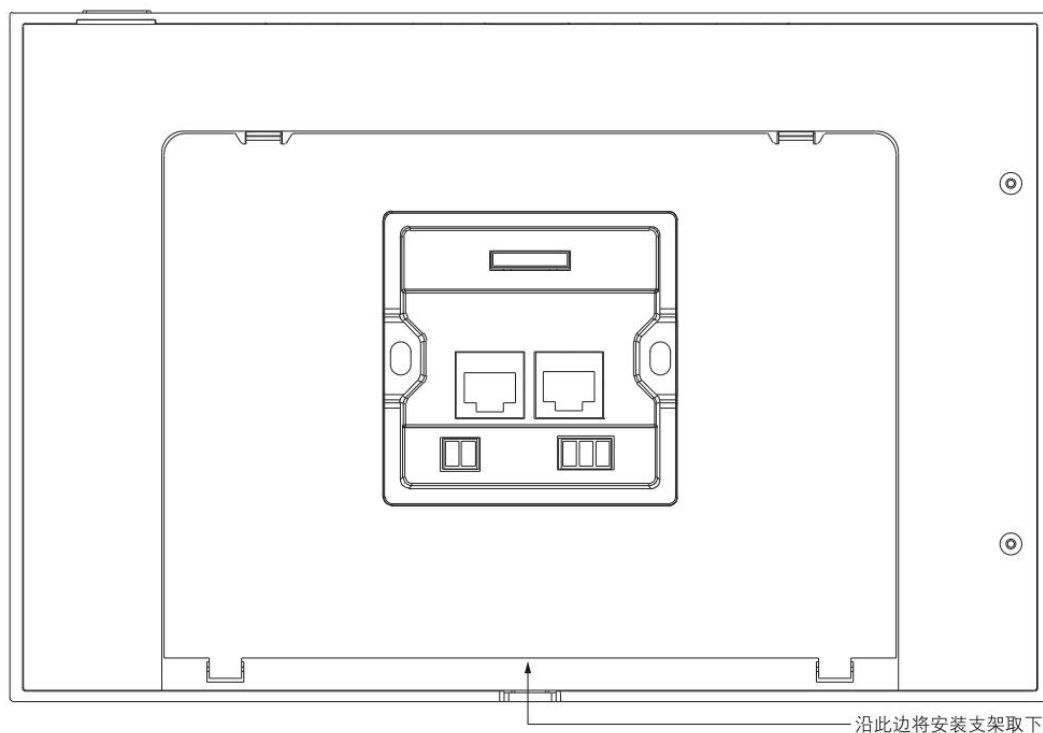
### 3.2 Wiring Diagram



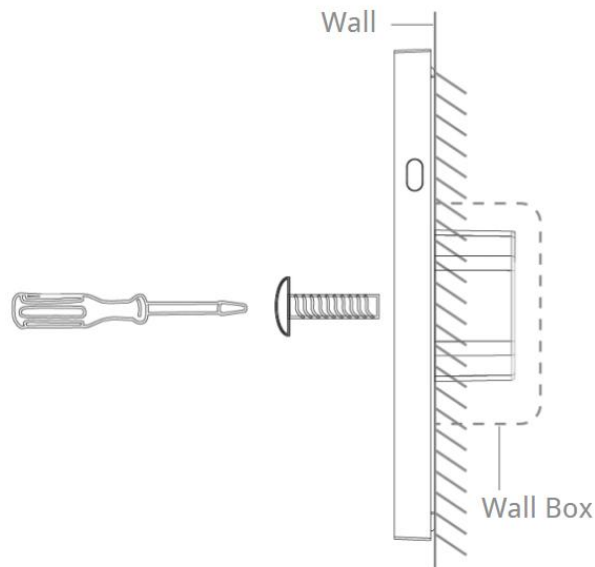
**Note: The network port on the right can be structurally closed and used as a single network port.**

# Chapter 4 Installation Diagrams and Instructions

## 4.1 Installation diagram



按此方向朝上安装支架



## 4.2 Installation Instructions

- Use a flat-blade screwdriver to remove the product bracket and back base, and install them in the wall box.
- Check the wiring and confirm that the DC power supply, RS485 terminal wire, and security interface wire are in good contact with the terminal head of the back base, without loosening or falling off.
- Use the mounting screws in the accessory package to lock the bracket base on the wall box, ensure that the bracket is flush with the wall, and then gently press and snap the panel together.
- Note that during the installation of the bracket, the mounting screws should not be tightened too much to avoid deformation of the bracket or damage to the screen and hardware.
- If you encounter problems during the installation, do not press hard to force the installation. You should first level the wall and check the flatness of the bracket.

## Chapter 5 Product Usage Instructions

### 5.1 Safety Instructions

- To ensure the correct use of this product, this product must be installed or disassembled by a professional electrician.
- Before disassembling the original wall panel product, the main power switch must be turned off to prevent electric shock. This product is a DC9V-24V input. Make sure there is a corresponding voltage power supply in the wall box.
- This product must be kept away from fire and water during installation and use.
- This product cannot be used in a humid environment (such as a bathroom).
- This product do NOT support POE.