

T7PE 7 Inch Smart Panel SPEC.

(PoE Version)

Ver.	Description	Creator	Date
V1.2	Update with ID pics.	Engineer department	2026-03-16

T7PE: PoE Version

Contents

Chapter 1 Product Introduction	3
1.1 Appearance	3
1.2 Features	3
Chapter 2 Specifications&Key Dimensions	3
2.1 Parameter Specifications	5
2.2 Key Dimensions	8
Chapter 3 Ports and Wiring Instructions	9
3.1 Ports Instructions	10
3.2 Wiring diagram	11
Chapter 4 Installation Diagram and Instructions	12
4.1 Installation Diagram	12
4.2 Installation Instructions	12
Chapter 5 Product Usage Instructions	11
5.1 Safety Instructions	12

Chapter 1 Product Introduction

1.1 Appearance



1.2 Features

- 7-inch LCD, dual microphones, 8-ohm 1W dual speakers, one physical power button, DC9V-48V power input.
- Supports proximity sensor to wake the screen and light sensor to automatically adjust screen brightness.
- Supports one-click screen off, power off, and device restart.
- Supports standard EU and Asian standard wall-mounted junction box installation.
- With RS485 communication, PoE power input.

Chapter 2

Specifications & Key Dimensions

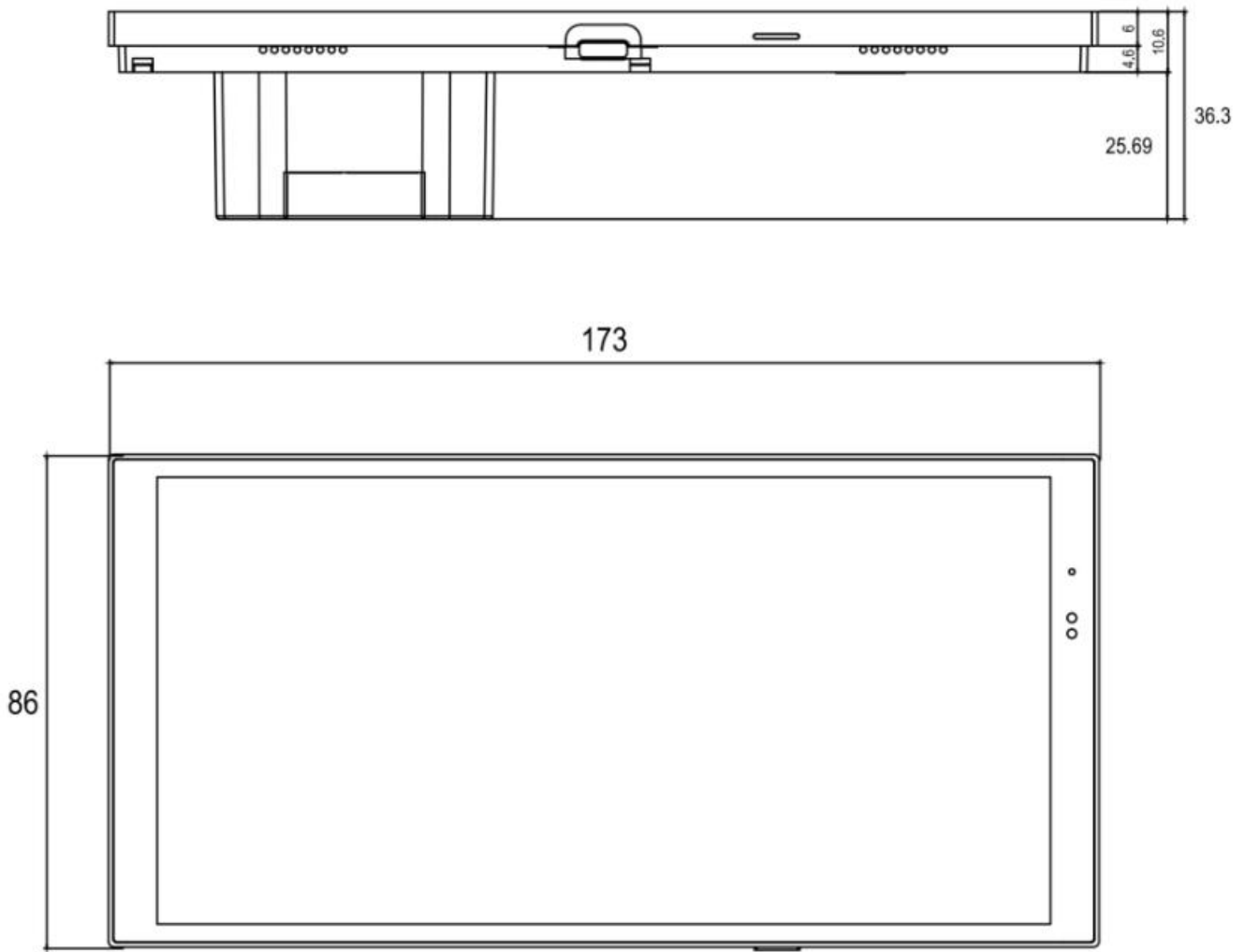
2.1 Parameter Specifications

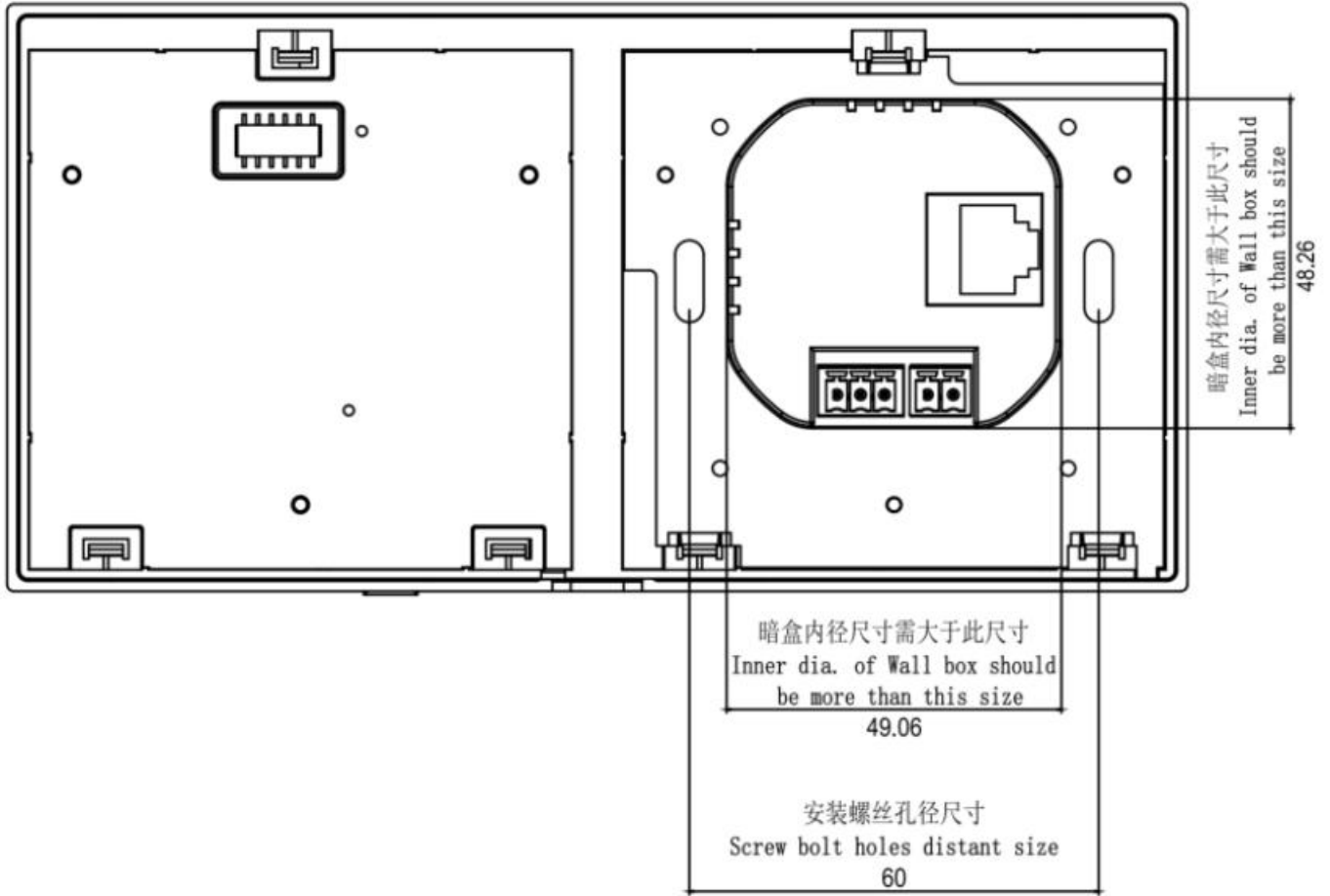
Product Configuration Parameters				
No.	Name	Content	Detailed parameters	Remarks
1	CPU	Rockchip	RK3566 Quad-core Cortex-A55	
2	RAM	LPDDR4	2GB	
3	ROM	EMMC	32GB	
4	Operation System	Android	Android 11	Open Android
5	Display	7 Inch	720*1440	
6	Touch	7 Inch	Adhesive capacitive touch	Without AF
7	Wireless connection	WIFI	2.4 & 5GHz	
		Bluetooth	BT 5.4	
		ZigBee	Support ZigBee 3.0 Optional	Not Included
8	Wired connection	Ethernet	10/100Mbps	WAN/LAN
9	Sensors	Brightness Sensor	Supports 1-channel light and distance sensor	
10	Audio	Microphone	Dual-microphone Array	

		Speaker	2*8Ω1W, BOX Sound Cavity	
11	Ports and buttons	USB	Type-C	
		Power ON/OFF Button	Physical Buttons	
		Power Supply Port	2P, 3.81MM Phoenix Contact	DC / GND
		RS485 Port	3P, 3.81MM Phoenix Contact	A / B / GND
		Ethernet ports	Standard RJ45, without Indicator light	
12	Power Supply	DC Power Input	DC 9V-48V, PoE	
13	Product Apperance	Product Dimension	173x86x36.3mm	With Power Base
		Middle Bezel Material and Process	aluminum alloy CNC	CNC without mold opening
		Middle Bezel Color	Black	
		Rear Housing Material and Process	PC, Oil Injection	
		Rear Housing Material	Black	
		Back Base Material and Process	PC, Oil Injection	
		Back Base Color	Black	
14	Power Base	PoE	PoE version	
15	In-wall Mounting Brackets	Material and Process	Metal Stamping, Black Powder Coated	

Reliability Parameters		
1	Waterproofing Grade of Metal Stamping, Black Powder Coated	IP20
2	ESD	Exposure to 4K, air at 8K
3	Surge (power supply and network port)	1KV
4	Working Temperature	0°C—40°C
5	Working Humidity	90%RH
6	Storage Temperature	-10—60°C

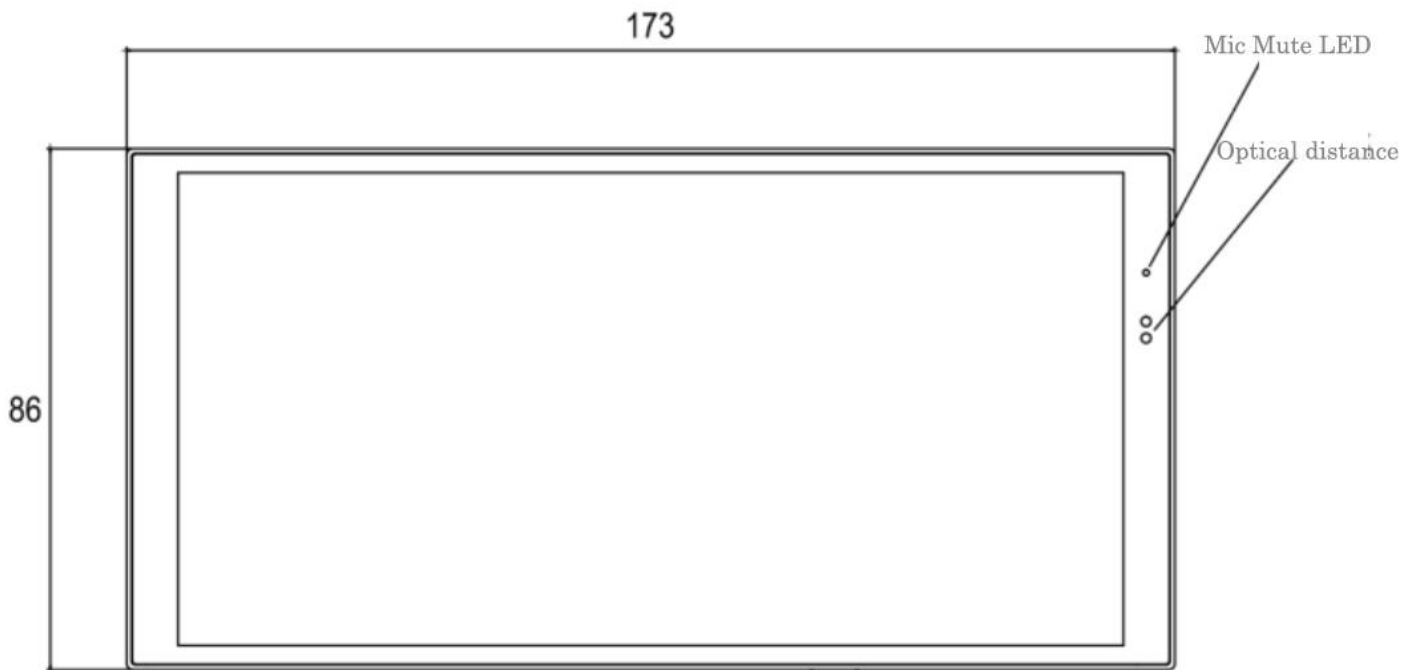
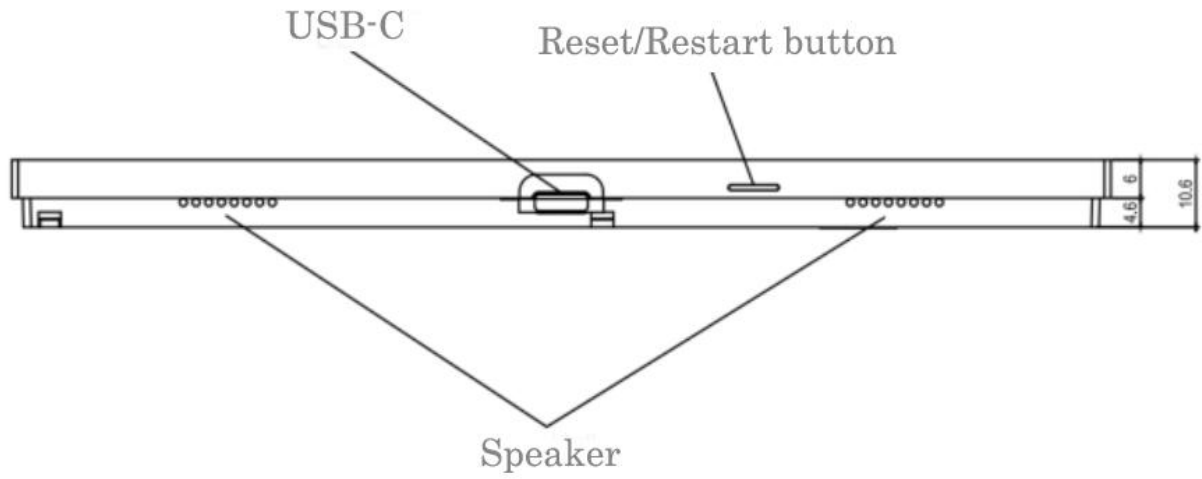
2.2 Key Dimensions

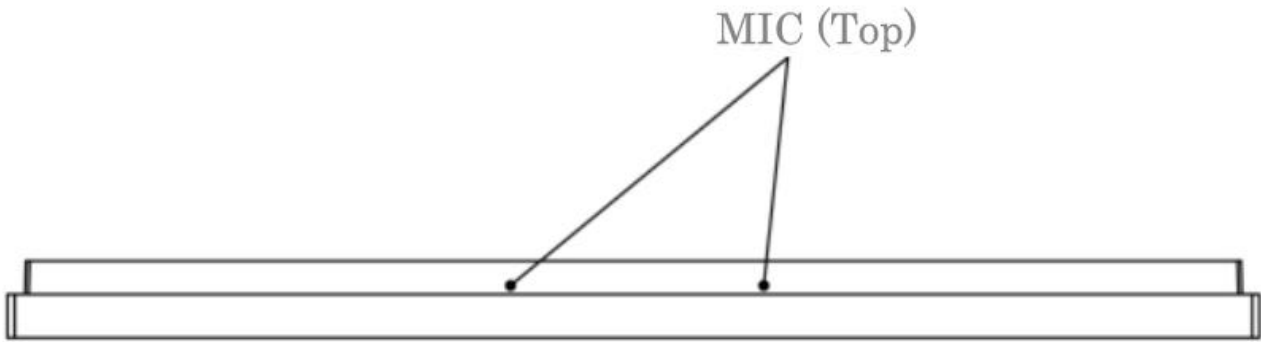




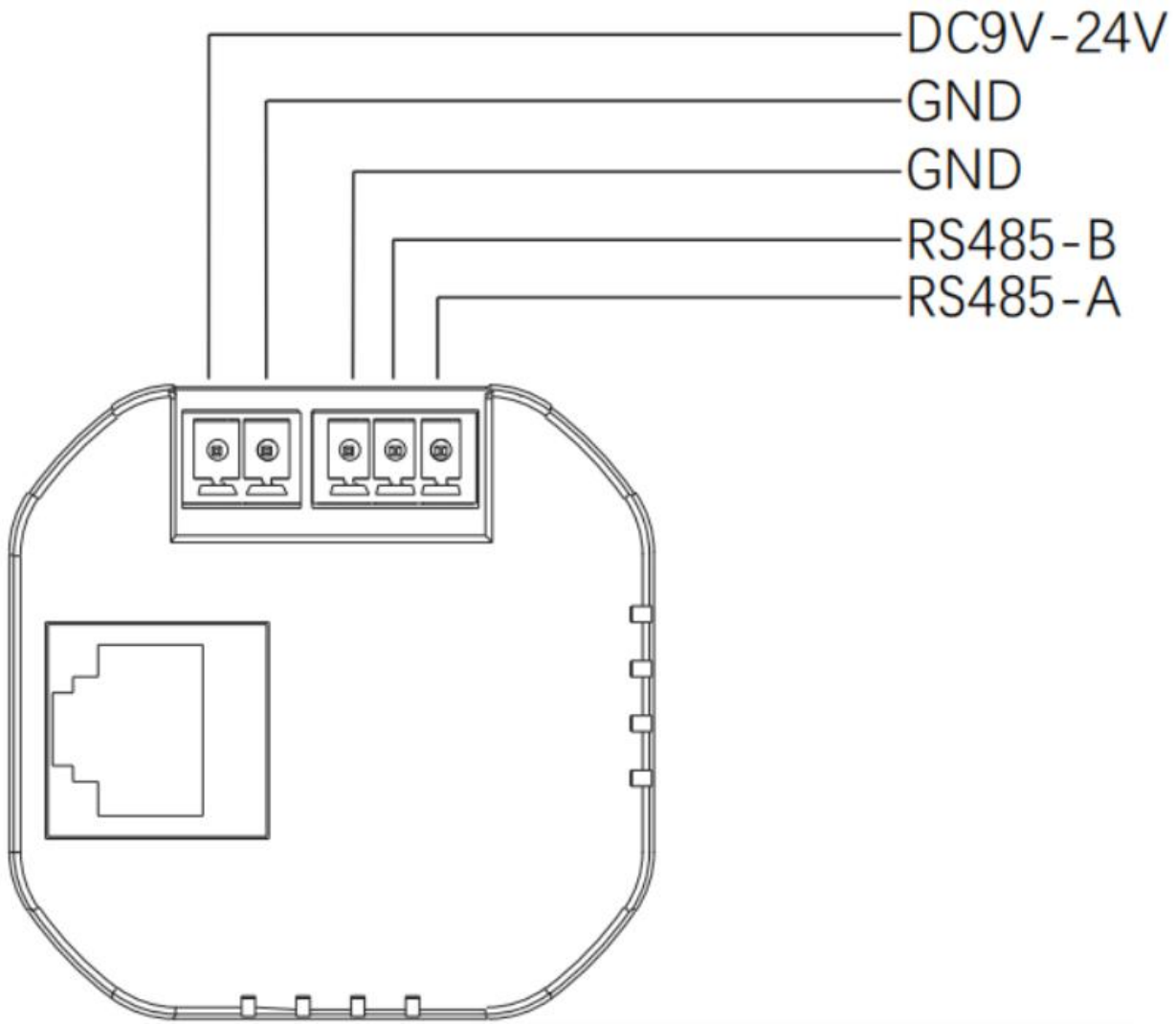
Chapter 3 Ports and Wiring Instructions

3.1 Ports Instructions





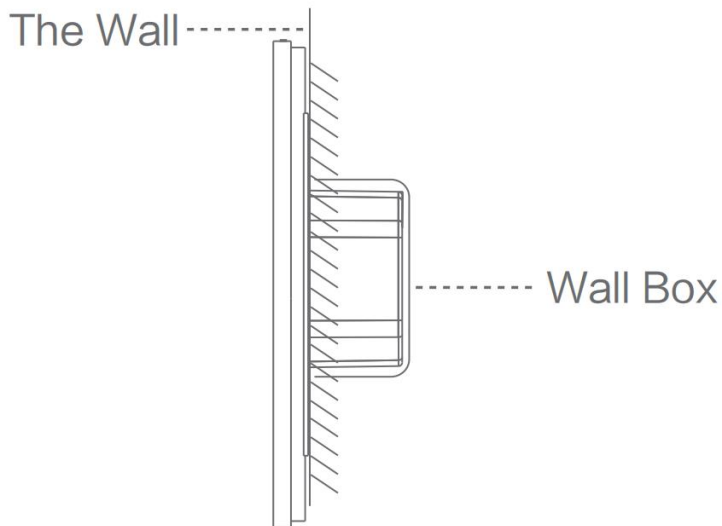
3.2 Wiring diagram



The network port is a standard RJ45 port and supports PoE power supply.

Chapter 4 Installation Diagram and Instructions

4.1 Installation Diagram



4.2 Installation Instructions

- Use a flat-blade screwdriver to remove the product bracket and back base, and install them in the wall box.
- Check the wiring and confirm that the DC power supply and RS485 terminal wires are in good contact with the terminal heads of the back box, without loosening or falling off.
- Use the mounting screws in the accessory package to lock the bracket base on the wall box, ensure that the bracket is flush with the wall, and then gently press and snap the panel together.
- Note that during the installation of the bracket, the mounting screws should not be tightened too much to avoid deformation of the bracket or damage to the screen and hardware.
- If you encounter problems during installation, do not press hard to force the installation. Please firstly check the wall box and flatness of the bracket.

Chapter 5 Product Usage/Safety Instructions

- To ensure the correct use of this product, this product must be installed or disassembled by a professional electrician.
- Before disassembling the original wall panel product, the main power switch must be turned off to prevent electric shock. This product is a DC 9V-24V input. Make sure there is a corresponding voltage power supply in the wall box.
- This product must be kept away from fire and water during installation and use.
- This product cannot be used in a humid environment (such as a bathroom).